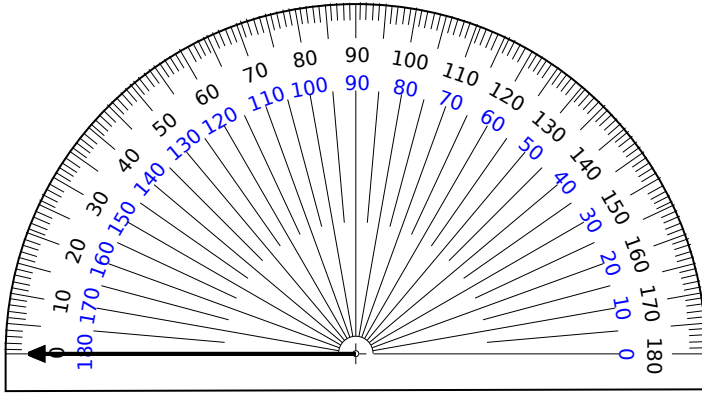


#1

Construct an angle that is 10° .

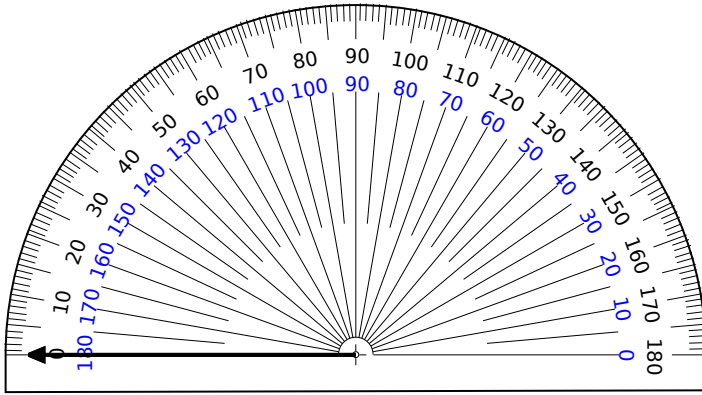


0°

Show your work

#2

Construct an angle that is 85° .

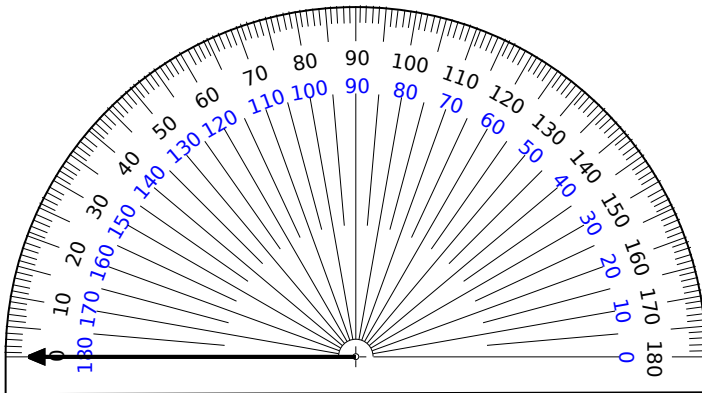


0°

Show your work

#3

Construct an angle that is 160° .

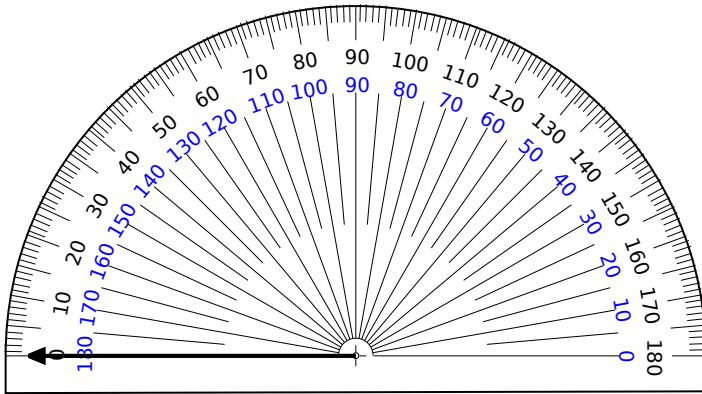


0°

Show your work

#4

Construct an angle that is 10° .

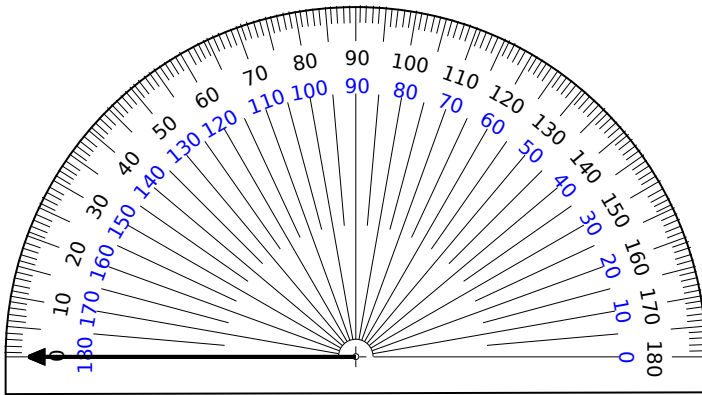


0°

Show your work

#5

Construct an angle that is 40° .

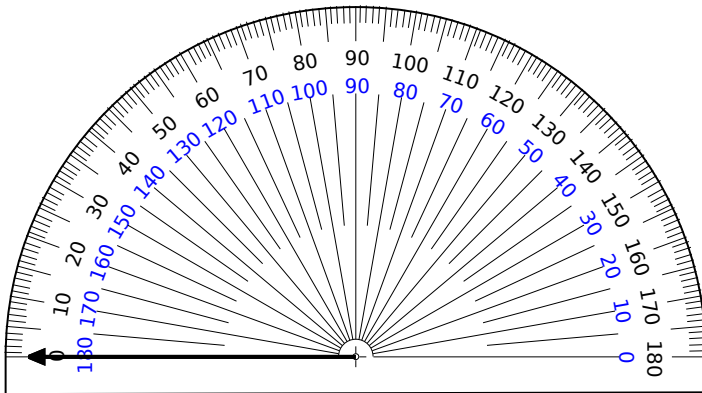


0°

Show your work

#6

Construct an angle that is 95° .

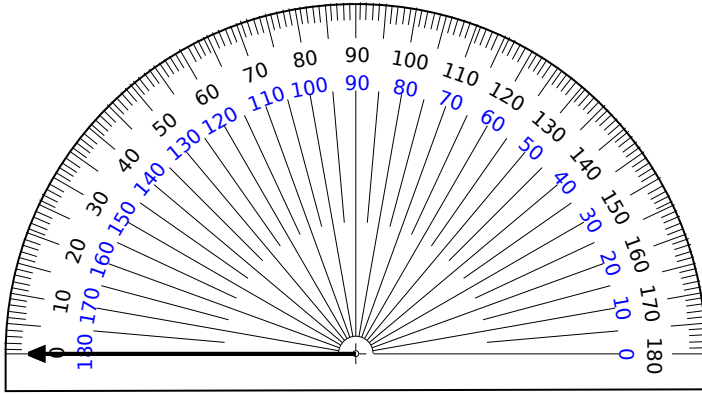


0°

Show your work

#7

Construct an angle that is 30° .

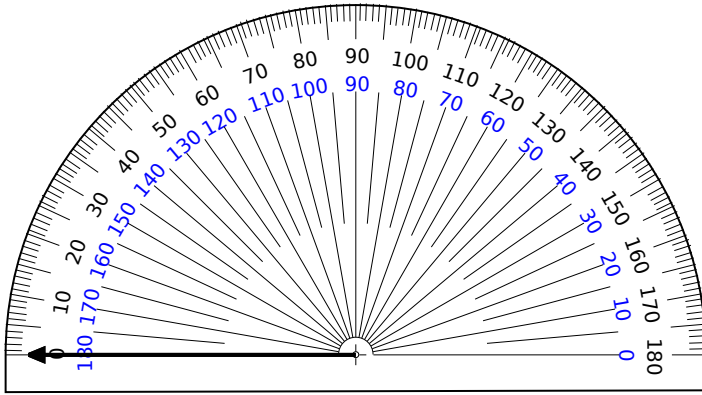


0°

Show your work

#8

Construct an angle that is 105° .

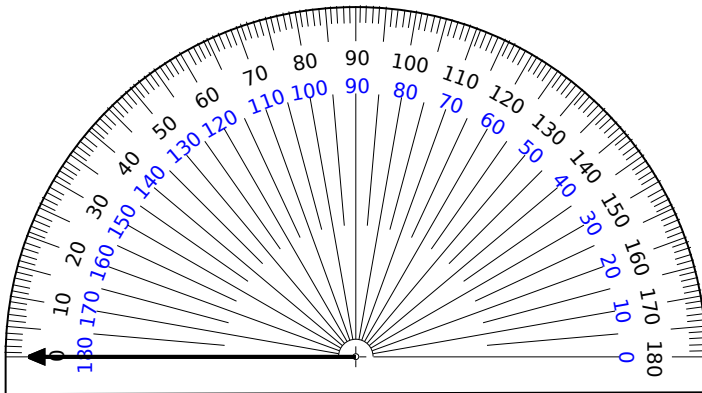


0°

Show your work

#9

Construct an angle that is 15° .

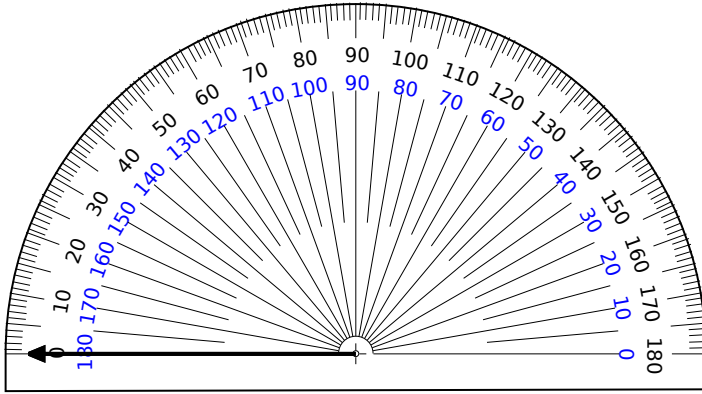


0°

Show your work

#10

Construct an angle that is 95° .

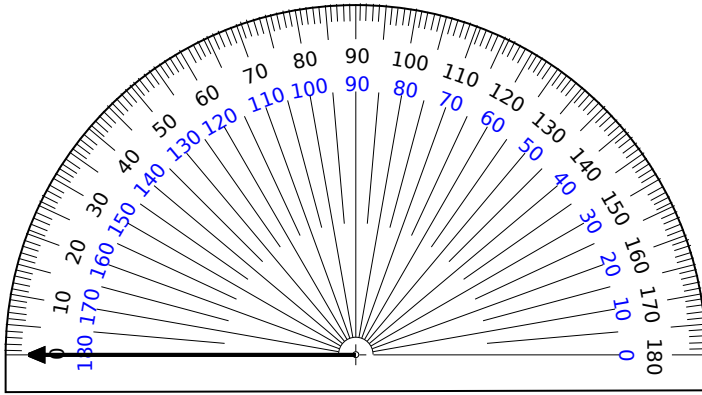


0°

Show your work

#11

Construct an angle that is 130° .

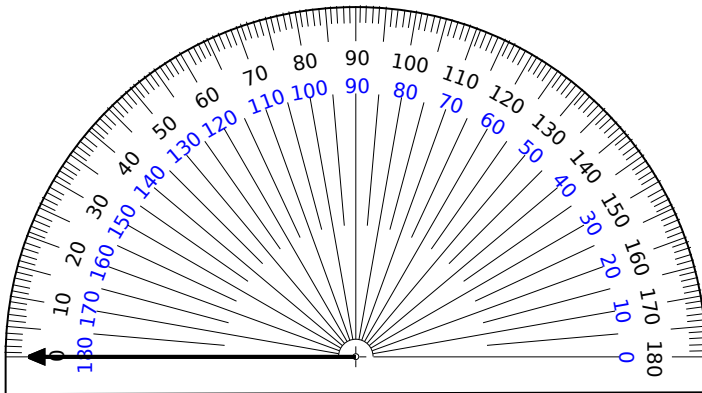


0°

Show your work

#12

Construct an angle that is 100° .



0°

Show your work

Question	Answer
#1	10
#2	85
#3	160
#4	10
#5	40
#6	95
#7	30
#8	105
#9	15
#10	95
#11	130
#12	100