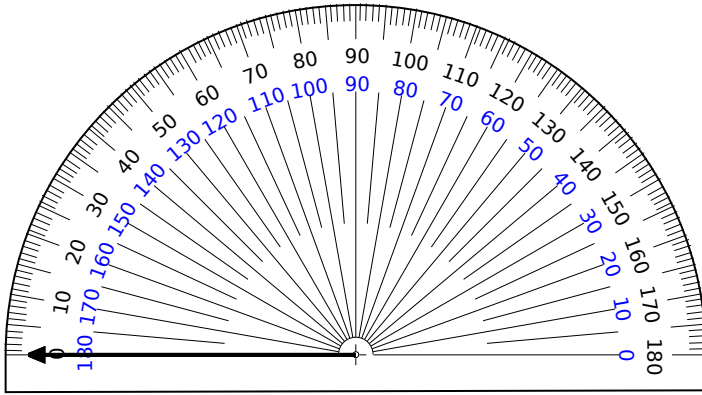
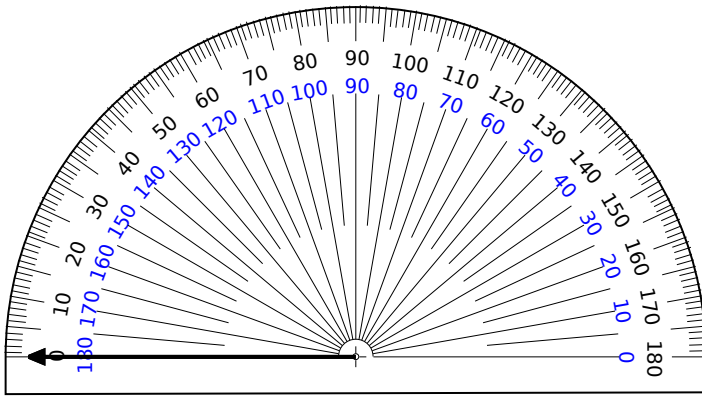


#1 Construct an angle greater than 140° . Drag and drop the arrow to create the angle.



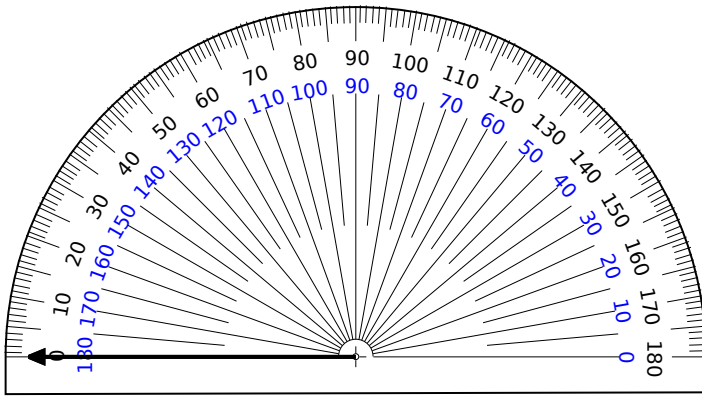
Show your work

#2 Construct an angle less than 160° . Drag and drop the arrow to create the angle.



Show your work

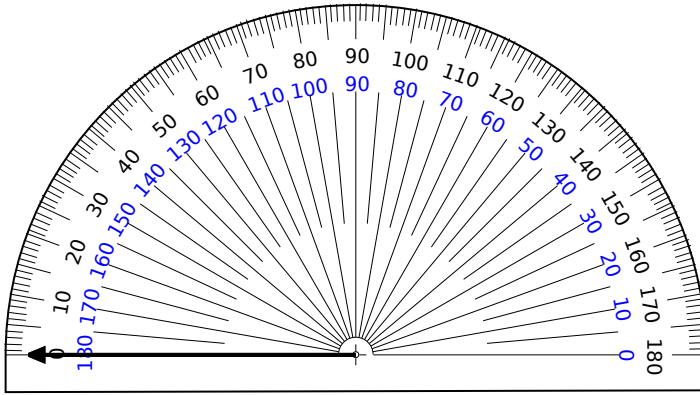
#3 Construct an angle greater than 10° . Drag and drop the arrow to create the angle.



Show your work

#4

Construct an obtuse angle greater than 55° . Drag and drop the arrow to create the angle.

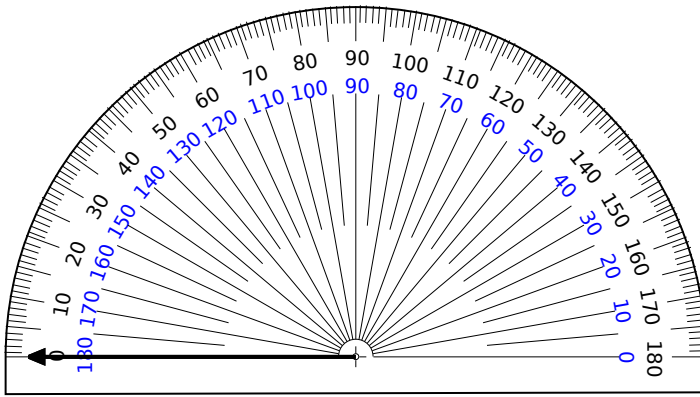


0°

Show your work

#5

Construct an acute angle less than 50° . Drag and drop the arrow to create the angle.

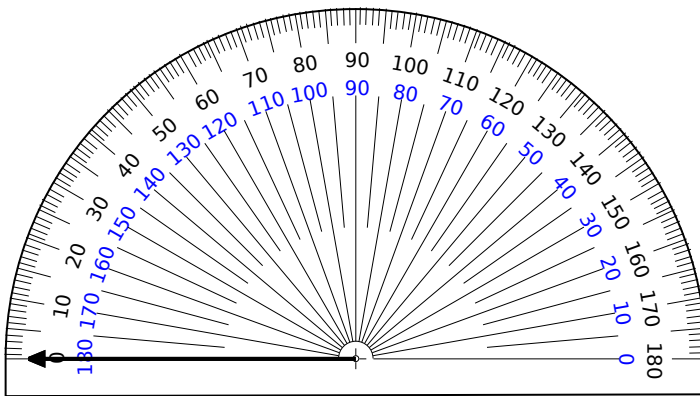


0°

Show your work

#6

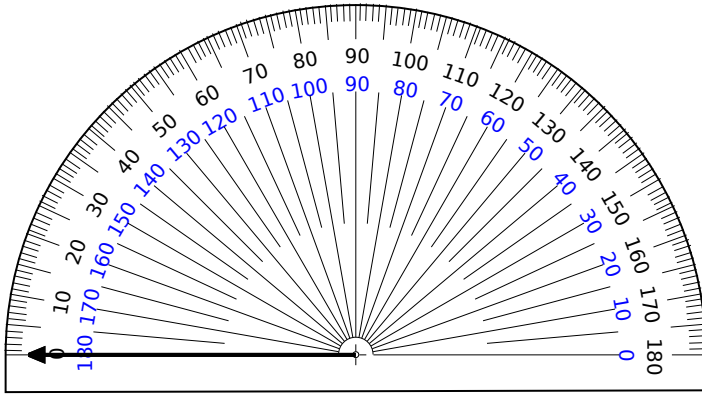
Construct an angle greater than 155° . Drag and drop the arrow to create the angle.



0°

Show your work

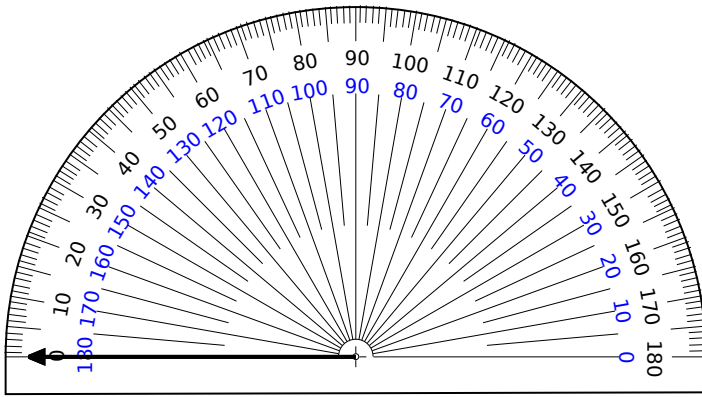
#7 Construct an acute angle less than 100° . Drag and drop the arrow to create the angle.



0°

Show your work

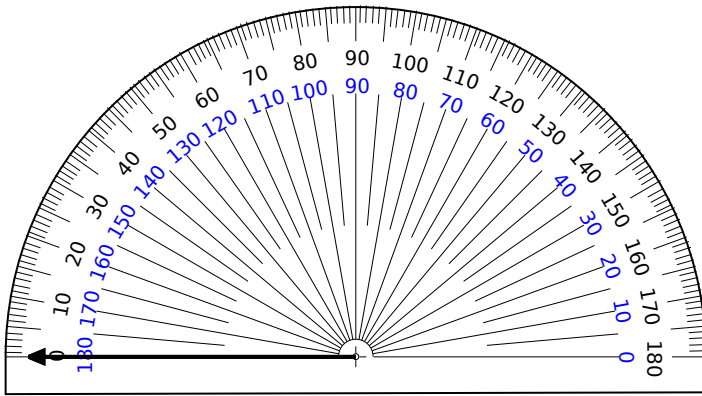
#8 Construct an acute angle less than 95° . Drag and drop the arrow to create the angle.



0°

Show your work

#9 Construct an angle greater than 65° . Drag and drop the arrow to create the angle.

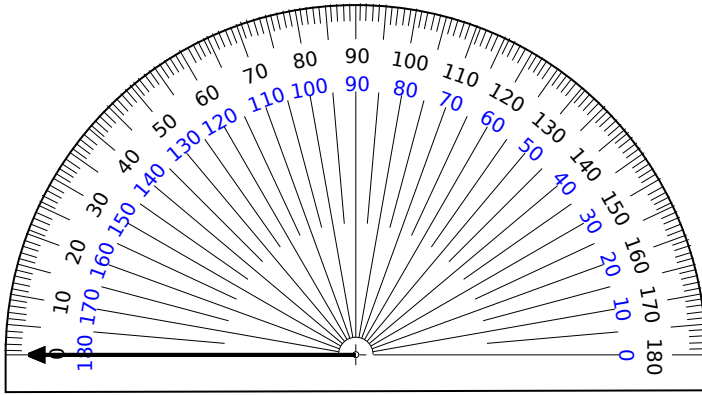


0°

Show your work

#10

Construct an angle less than 95° . Drag and drop the arrow to create the angle.

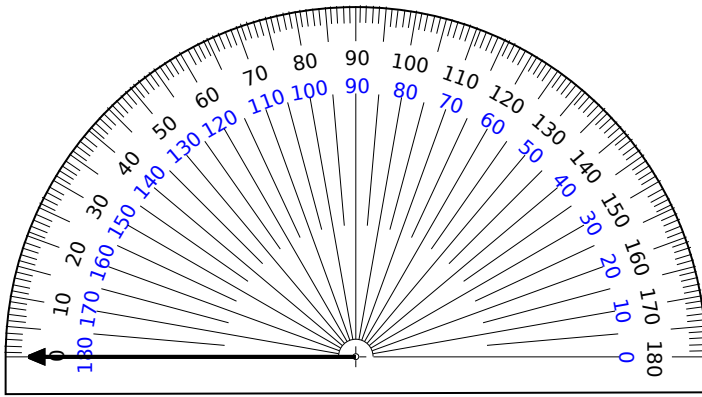


0°

Show your work

#11

Construct an obtuse angle greater than 45° . Drag and drop the arrow to create the angle.

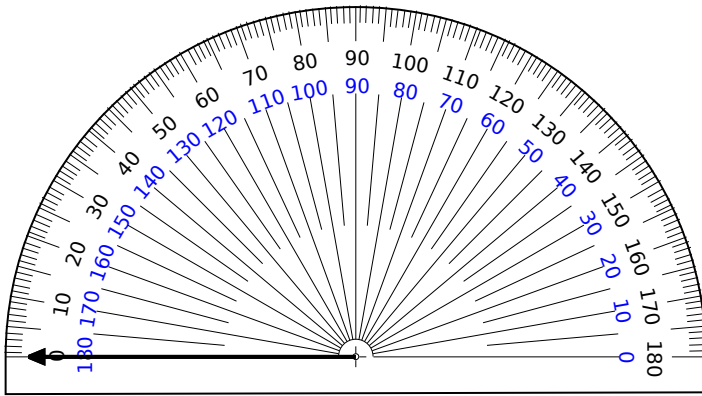


0°

Show your work

#12

Construct an angle greater than 95° . Drag and drop the arrow to create the angle.



0°

Show your work

Question	Answer
#1	140, 181
#2	-1, 160
#3	10, 181
#4	90, 181
#5	-1, 50
#6	155, 181
#7	-1, 90
#8	-1, 90
#9	65, 181
#10	-1, 95
#11	90, 181
#12	95, 181