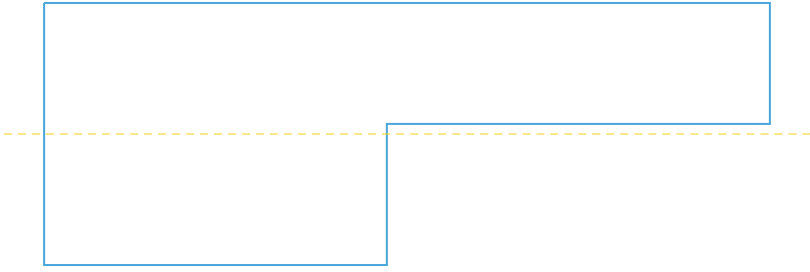


#1

Is the dotted line a line of symmetry?



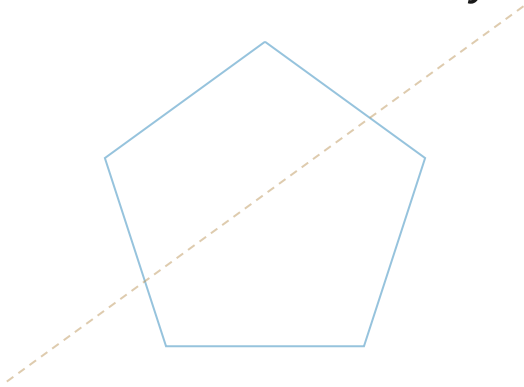
No

Yes

Show your work

#2

Is the dotted line a line of symmetry?



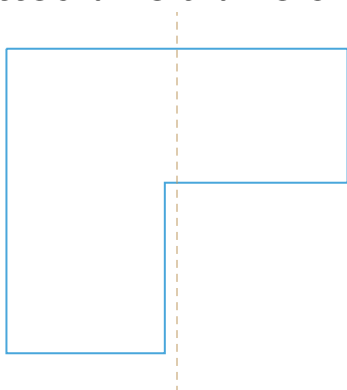
No

Yes

Show your work

#3

Is the dotted line a line of symmetry?



No

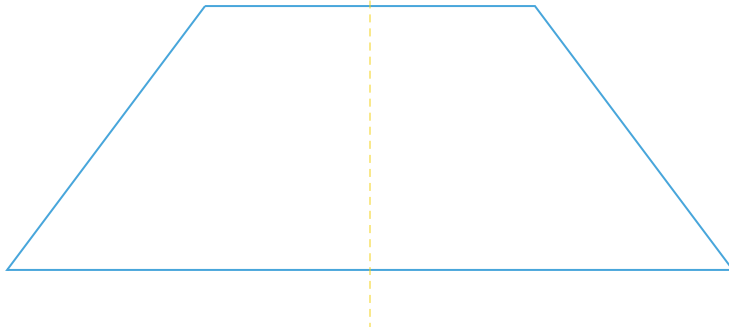
Yes

Show your work



#4

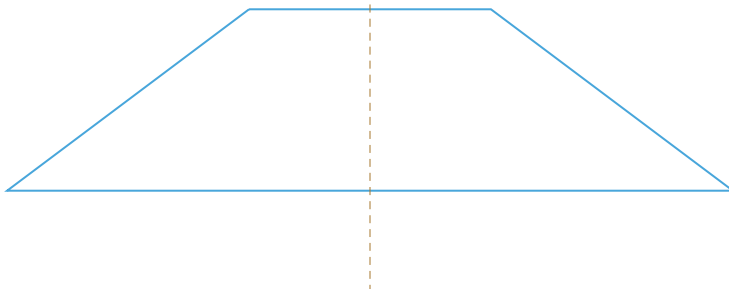
Is the dotted line a line of symmetry?

 No Yes

Show your work

#5

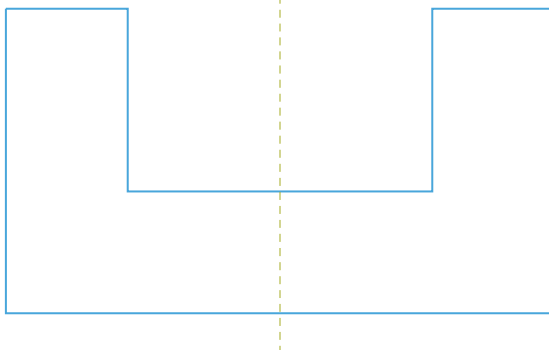
Is the dotted line a line of symmetry?

 No Yes

Show your work

#6

Is the dotted line a line of symmetry?

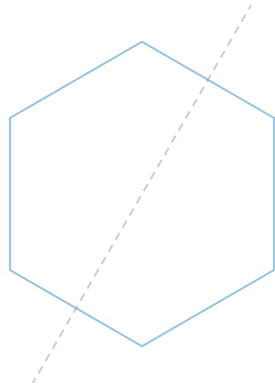
 No Yes

Show your work



#7

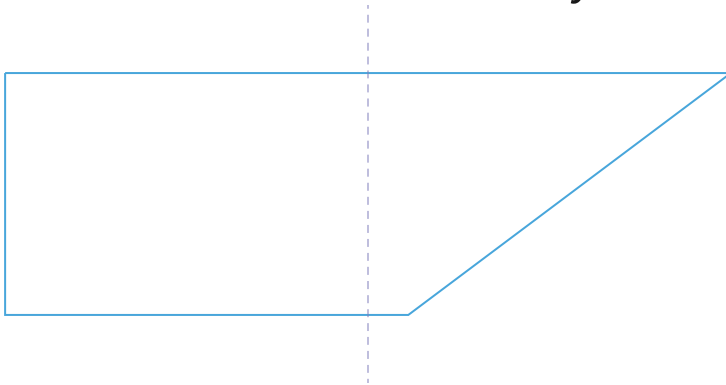
Is the dotted line a line of symmetry?

 No Yes

Show your work

#8

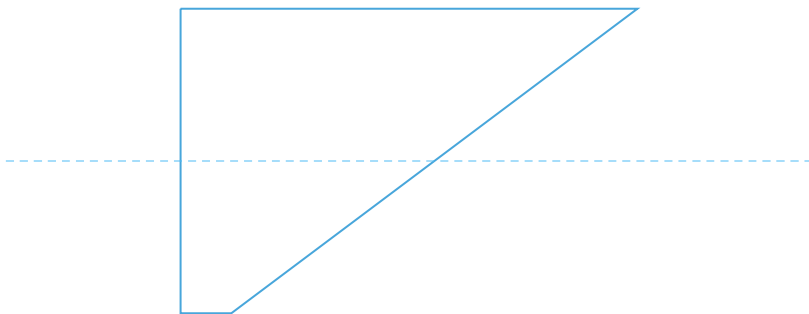
Is the dotted line a line of symmetry?

 No Yes

Show your work

#9

Is the dotted line a line of symmetry?

 Yes No

Show your work



#10

Is the dotted line a line of symmetry?



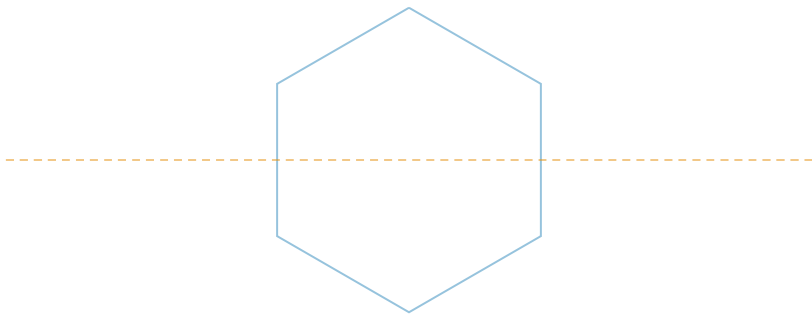
Yes

No

Show your work

#11

Is the dotted line a line of symmetry?



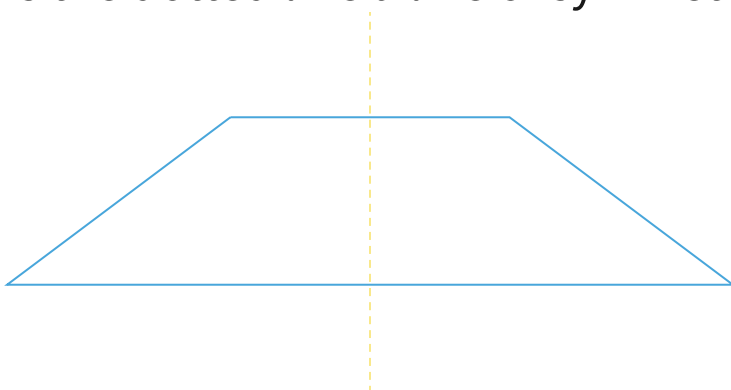
No

Yes

Show your work

#12

Is the dotted line a line of symmetry?



No

Yes

Show your work

Question	Answer
#1	choice 1
#2	choice 1
#3	choice 1
#4	choice 2
#5	choice 2
#6	choice 2
#7	choice 2
#8	choice 1
#9	choice 2
#10	choice 1
#11	choice 2
#12	choice 2