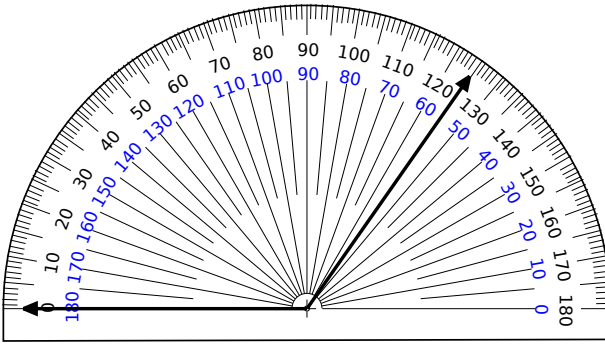


#1

What kind of angle is shown?

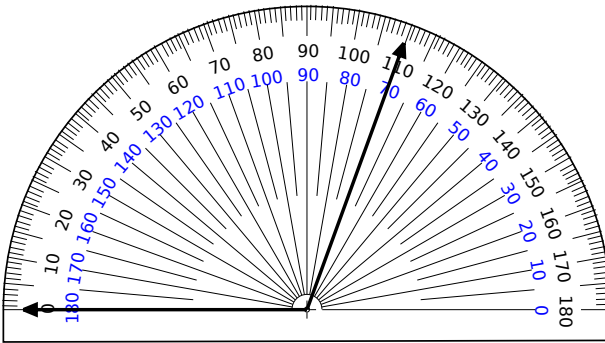


- acute
 obtuse
 right

Show your work

#2

What kind of angle is shown?

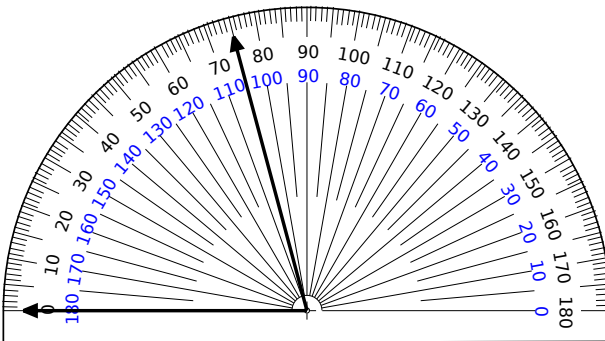


- right
 obtuse
 acute

Show your work

#3

What kind of angle is shown?

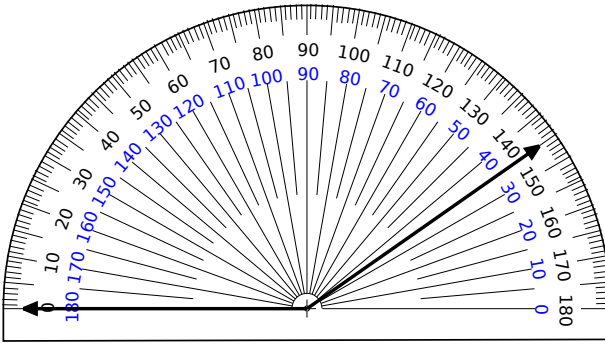


- obtuse
 right
 acute

Show your work

#4

What kind of angle is shown?

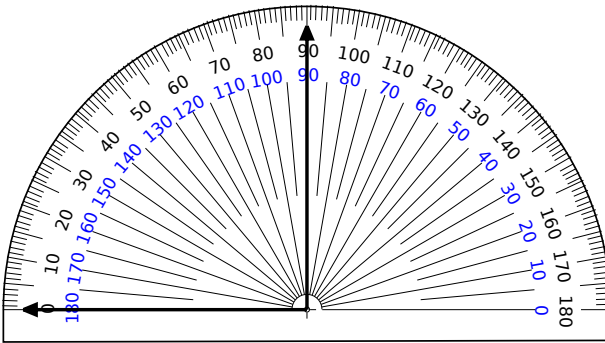


- obtuse
 acute
 right

Show your work

#5

What kind of angle is shown?

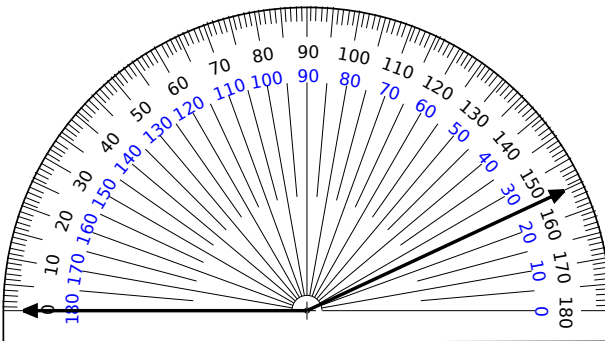


- acute
 right
 obtuse

Show your work

#6

What kind of angle is shown?

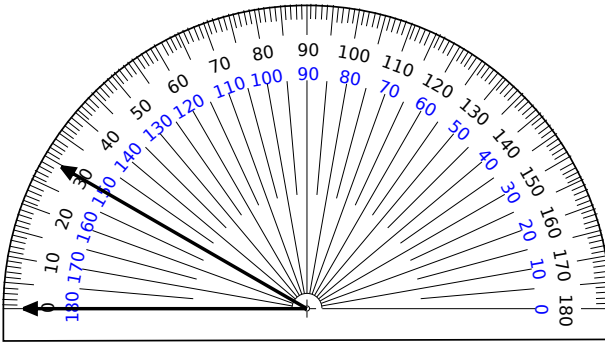


- right
 obtuse
 acute

Show your work

#7

What kind of angle is shown?

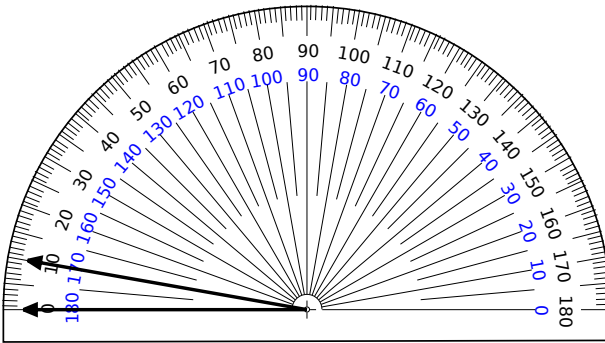


- right
 acute
 obtuse

Show your work

#8

What kind of angle is shown?

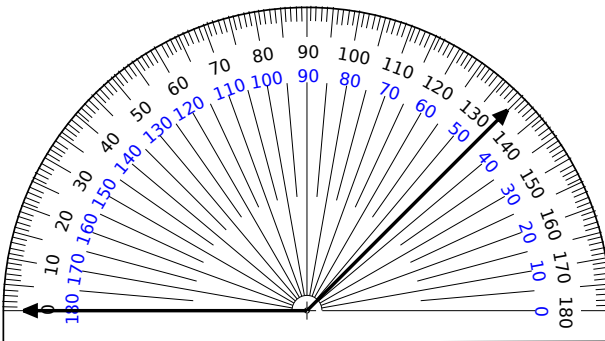


- acute
 obtuse
 right

Show your work

#9

What kind of angle is shown?

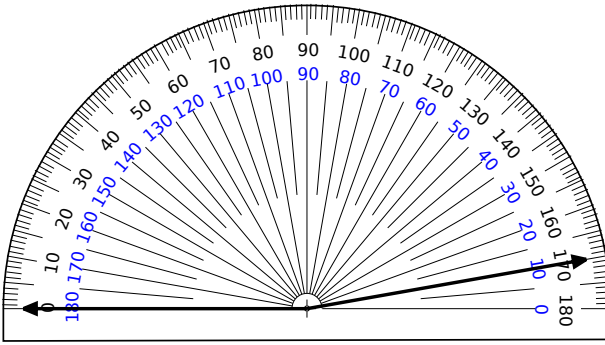


- acute
 right
 obtuse

Show your work

#10

What kind of angle is shown?

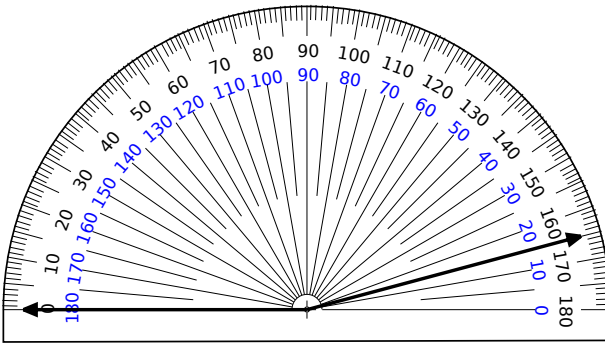


- right
 obtuse
 acute

Show your work

#11

What kind of angle is shown?

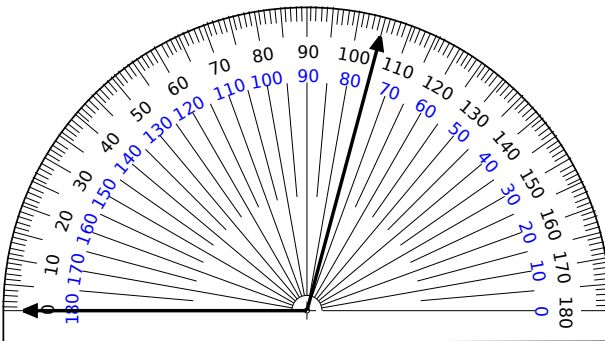


- obtuse
 acute
 right

Show your work

#12

What kind of angle is shown?



- right
 obtuse
 acute

Show your work

Question	Answer
#1	choice 2
#2	choice 2
#3	choice 3
#4	choice 1
#5	choice 2
#6	choice 2
#7	choice 2
#8	choice 1
#9	choice 3
#10	choice 2
#11	choice 1
#12	choice 2