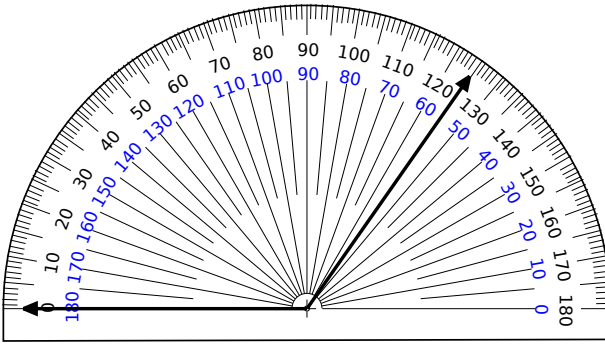


#1

What kind of angle is shown?

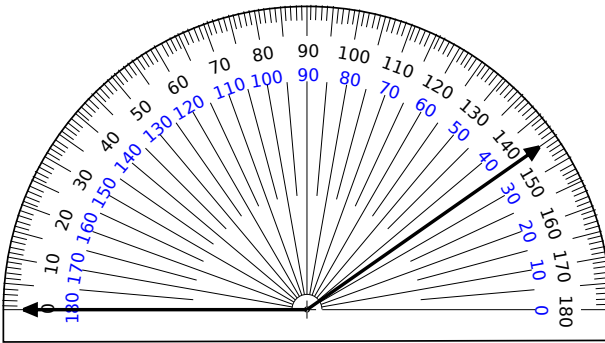


- acute     
  obtuse     
  right

Show your work

#2

What kind of angle is shown?

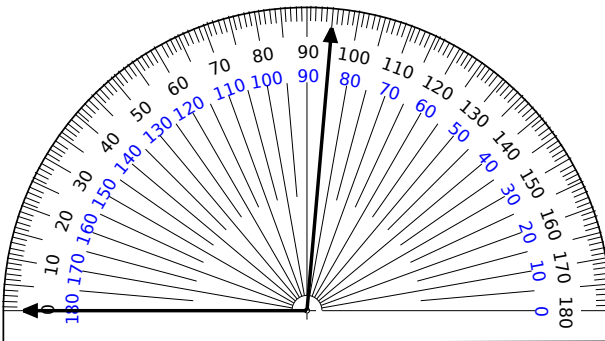


- obtuse     
  acute     
  right

Show your work

#3

What kind of angle is shown?

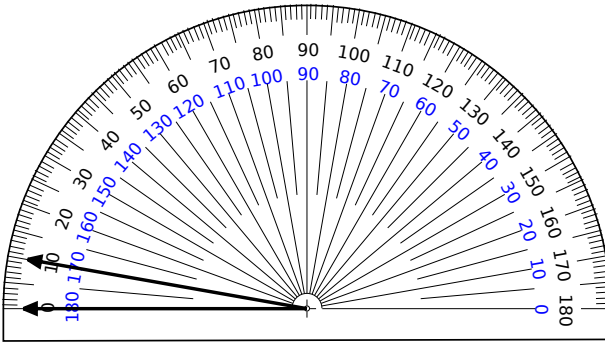


- obtuse     
  right     
  acute

Show your work

#4

What kind of angle is shown?

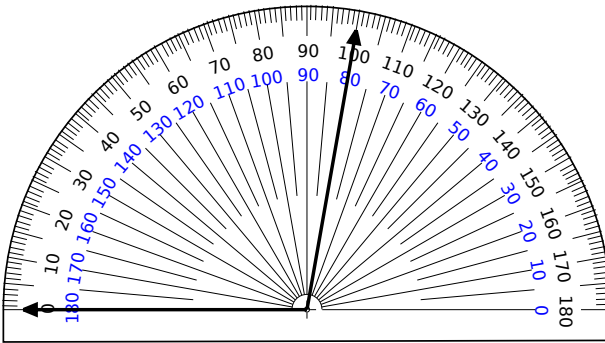


- acute     
  obtuse     
  right

Show your work

#5

What kind of angle is shown?

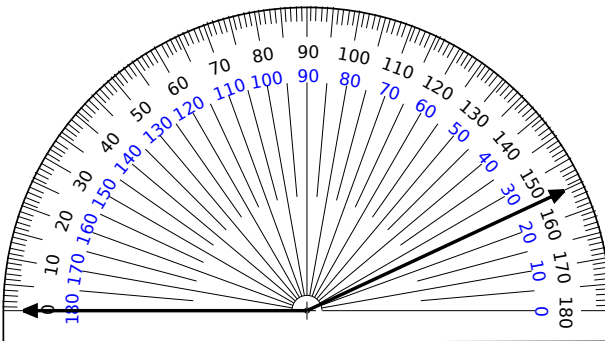


- acute     
  obtuse     
  right

Show your work

#6

What kind of angle is shown?

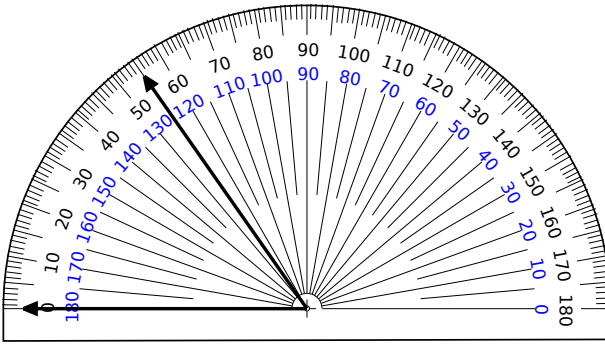


- right     
  obtuse     
  acute

Show your work

#7

What kind of angle is shown?

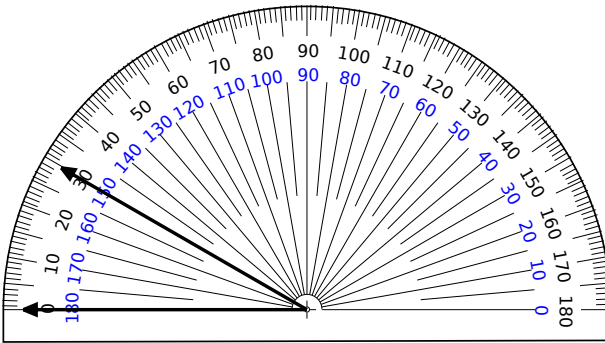


- right     
  acute     
  obtuse

Show your work

#8

What kind of angle is shown?

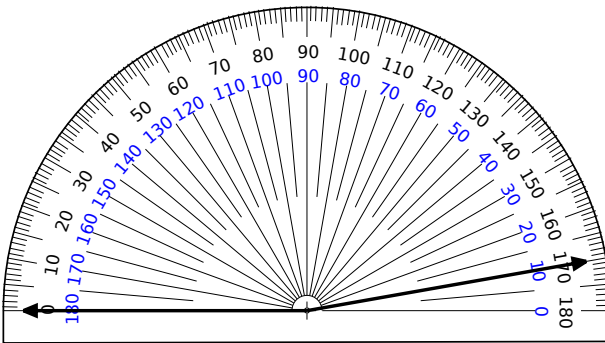


- right     
  acute     
  obtuse

Show your work

#9

What kind of angle is shown?

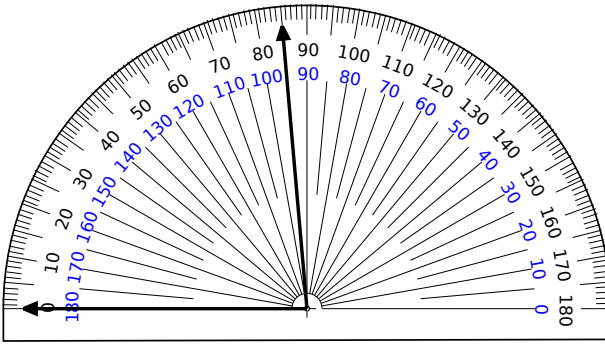


- right     
  obtuse     
  acute

Show your work

#10

What kind of angle is shown?

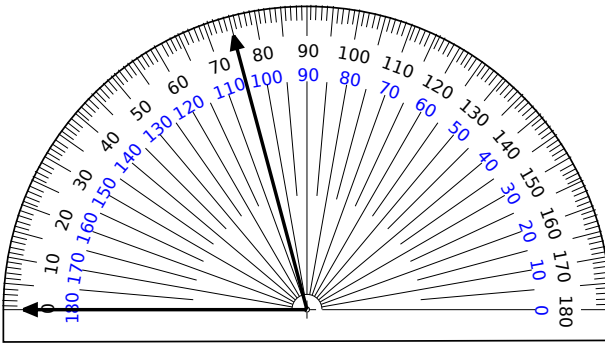


- obtuse     
  acute     
  right

Show your work

#11

What kind of angle is shown?

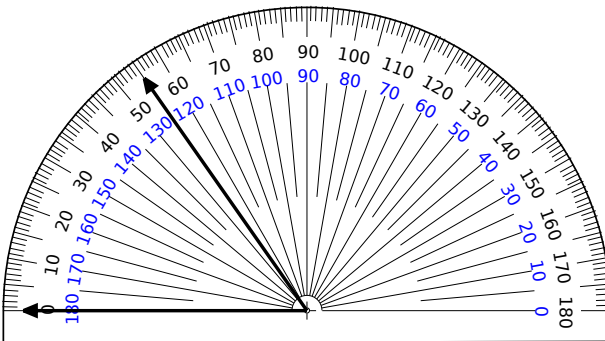


- obtuse     
  right     
  acute

Show your work

#12

What kind of angle is shown?



- right     
  acute     
  obtuse

Show your work

Question	Answer
#1	choice 2
#2	choice 1
#3	choice 1
#4	choice 1
#5	choice 2
#6	choice 2
#7	choice 2
#8	choice 2
#9	choice 2
#10	choice 2
#11	choice 3
#12	choice 2