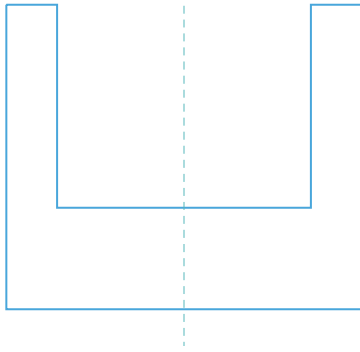




#1

Is the dotted line a line of symmetry?

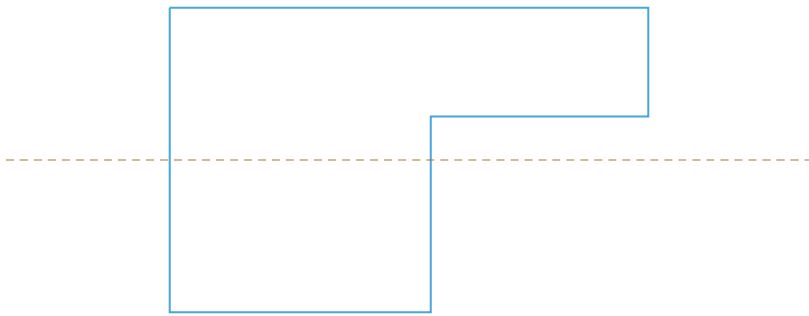


- No Yes

Show your work

#2

Is the dotted line a line of symmetry?

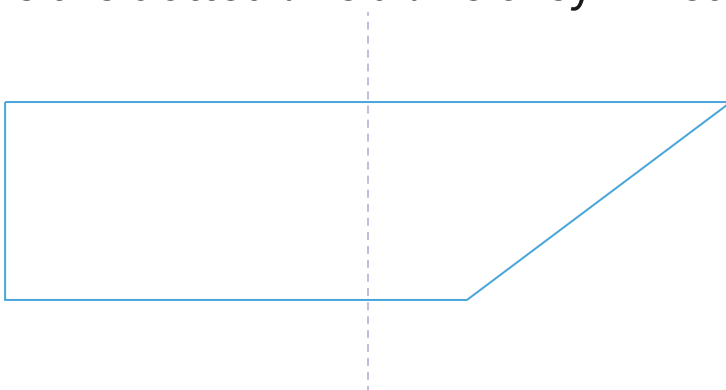


- No Yes

Show your work

#3

Is the dotted line a line of symmetry?

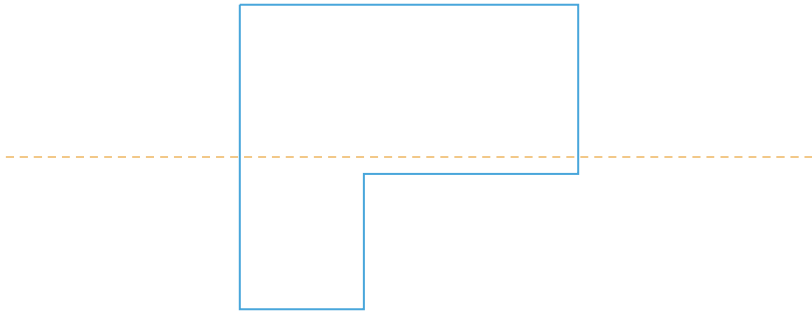


- Yes No

Show your work

#4

Is the dotted line a line of symmetry?

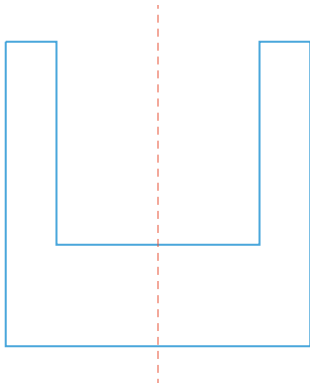


- No
 Yes

Show your work

#5

Is the dotted line a line of symmetry?

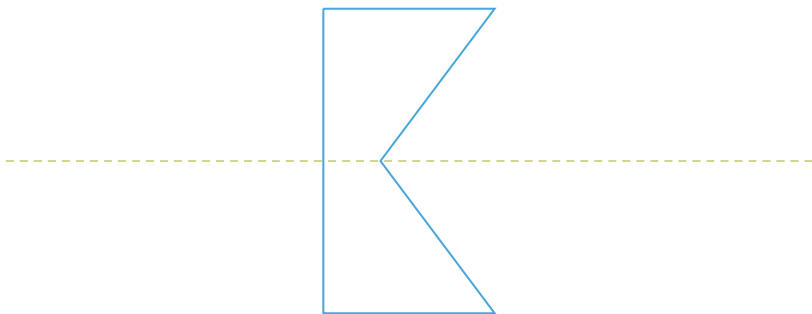


- Yes
 No

Show your work

#6

Is the dotted line a line of symmetry?



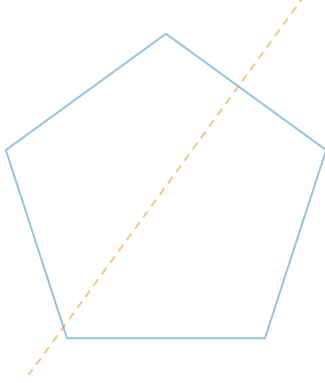
- Yes
 No

Show your work



#7

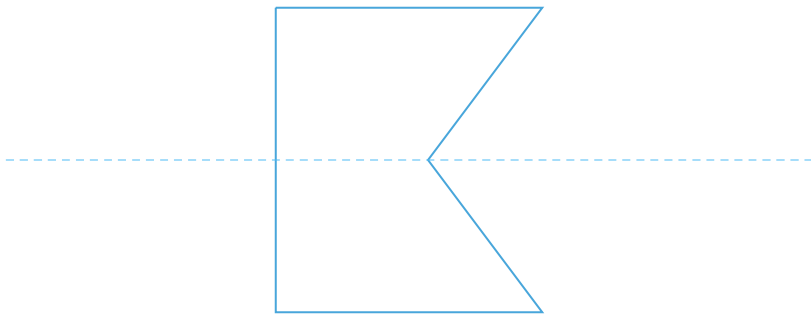
Is the dotted line a line of symmetry?

 No Yes

Show your work

#8

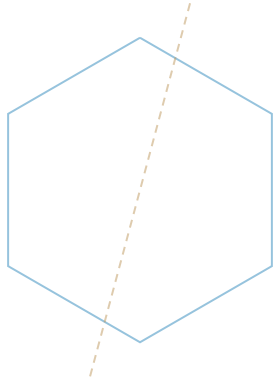
Is the dotted line a line of symmetry?

 No Yes

Show your work

#9

Is the dotted line a line of symmetry?

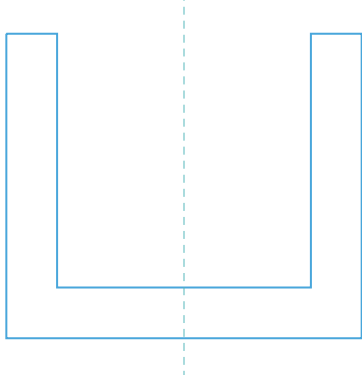
 No Yes

Show your work



#10

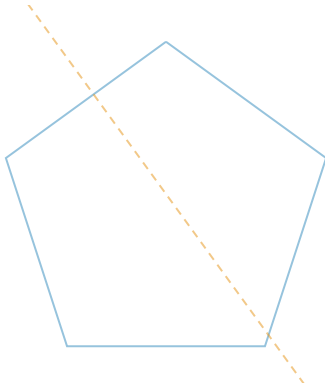
Is the dotted line a line of symmetry?

 Yes No

Show your work

#11

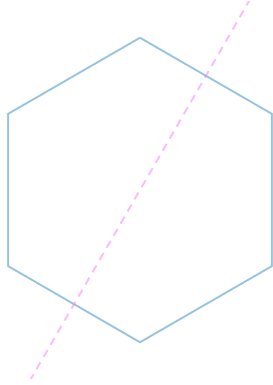
Is the dotted line a line of symmetry?

 Yes No

Show your work

#12

Is the dotted line a line of symmetry?

 Yes No

Show your work

Question	Answer
#1	choice 2
#2	choice 1
#3	choice 2
#4	choice 1
#5	choice 1
#6	choice 1
#7	choice 2
#8	choice 2
#9	choice 1
#10	choice 1
#11	choice 1
#12	choice 1