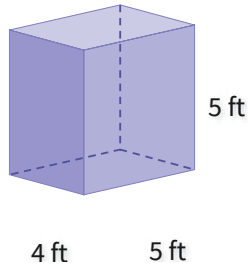


#1

What is the volume?

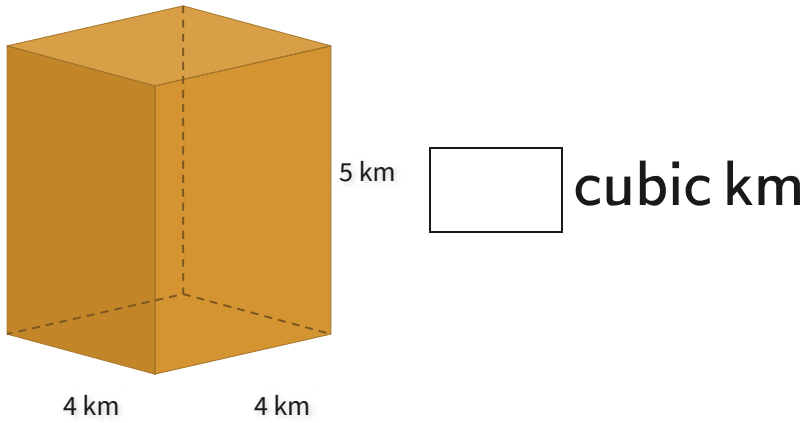


- 100 cubic ft
- 126 cubic ft
- 95 cubic ft
- 85 cubic ft

Show your work

#2

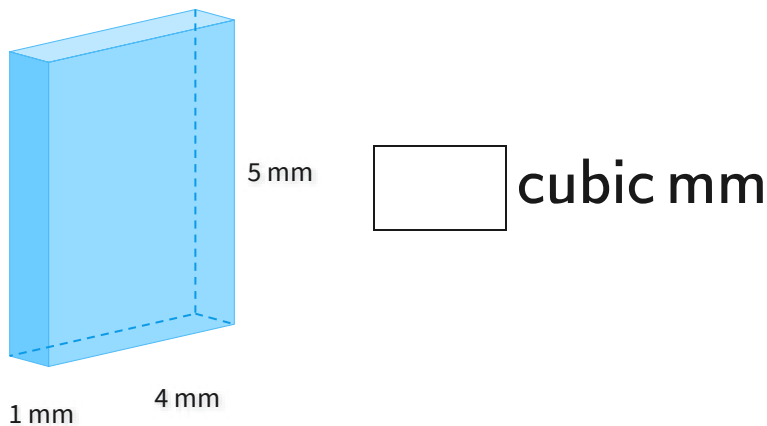
What is the volume?



Show your work

#3

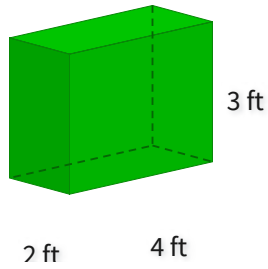
What is the volume?



Show your work

#4

What is the volume?

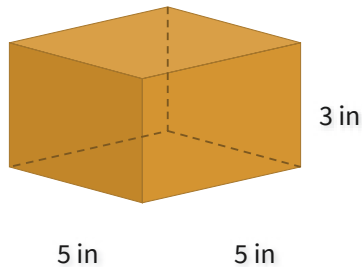


- 16 cubic ft
- 24 cubic ft
- 22 cubic ft
- 27 cubic ft

Show your work

#5

What is the volume?

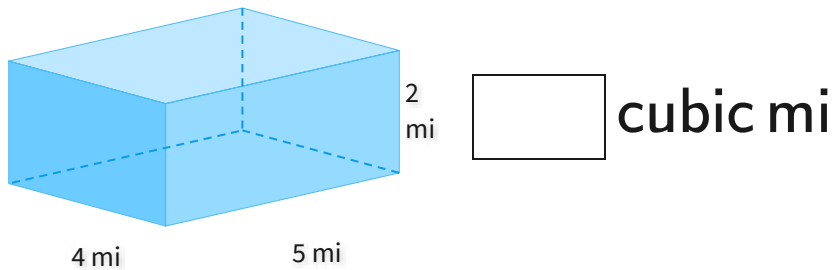


- 90 cubic in
- 63 cubic in
- 69 cubic in
- 75 cubic in

Show your work

#6

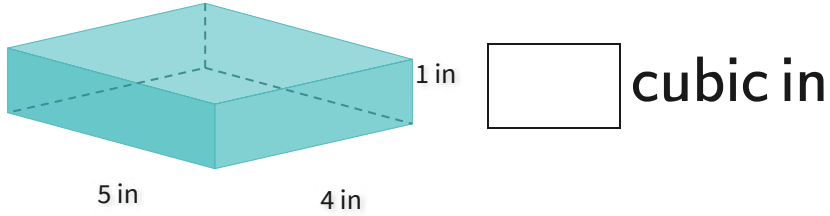
What is the volume?



Show your work

#7

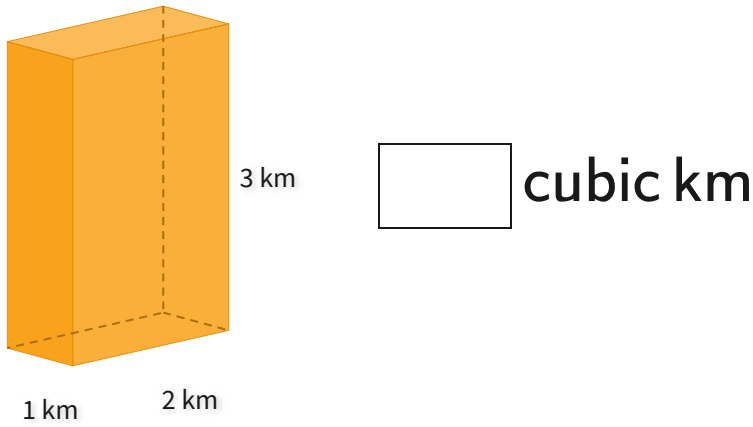
What is the volume?



Show your work

#8

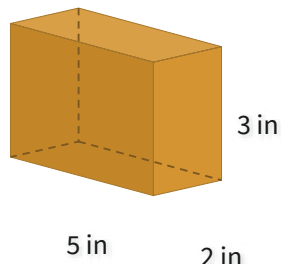
What is the volume?



Show your work

#9

What is the volume?

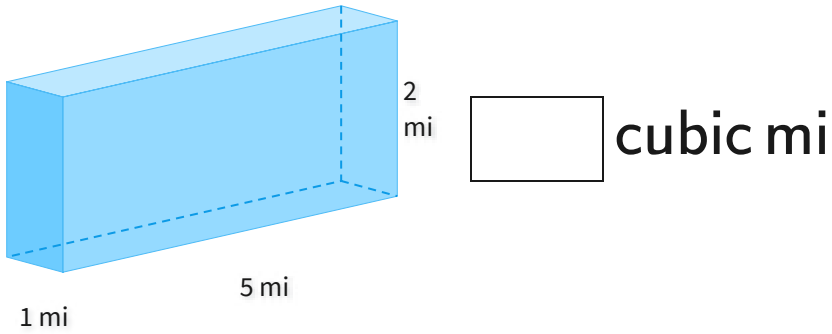


- 31 cubic in
- 30 cubic in
- 24 cubic in
- 35 cubic in

Show your work

#10

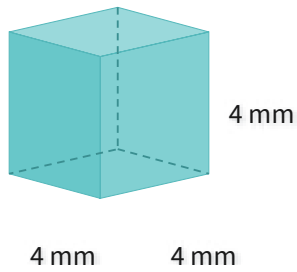
What is the volume?



Show your work

#11

What is the volume?

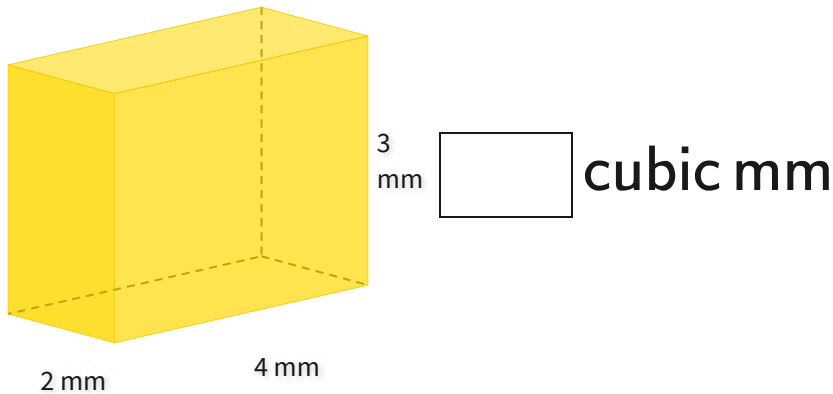


- 56 cubic mm
- 54 cubic mm
- 64 cubic mm
- 49 cubic mm

Show your work

#12

What is the volume?



Show your work

Question	Answer
#1	choice 1
#2	80
#3	20
#4	choice 2
#5	choice 4
#6	40
#7	20
#8	6
#9	choice 3
#10	10
#11	choice 3
#12	24