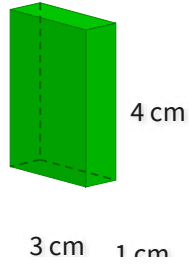


#1

What is the volume?

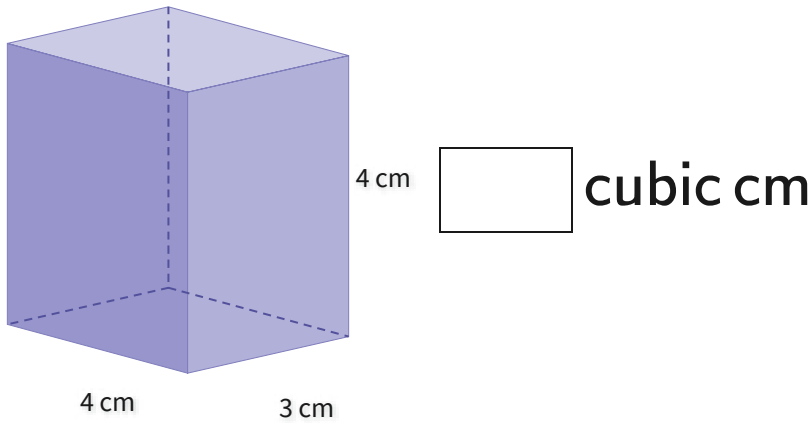


- 12 cubic cm
- 15 cubic cm
- 8 cubic cm
- 16 cubic cm

Show your work

#2

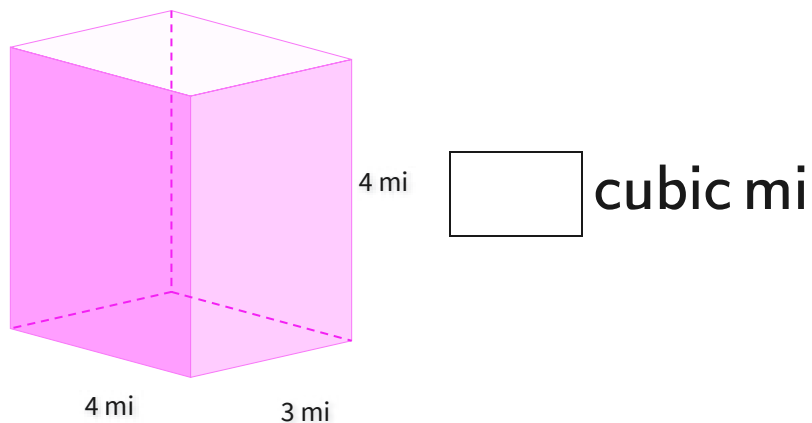
What is the volume?



Show your work

#3

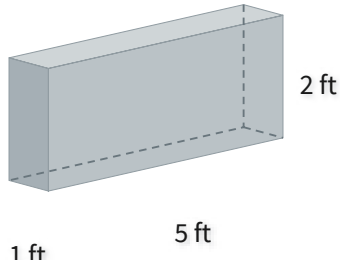
What is the volume?



Show your work

#4

What is the volume?

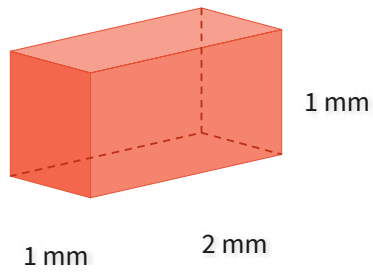


- 11 cubic ft
- 10 cubic ft
- 7 cubic ft
- 8 cubic ft

Show your work

#5

What is the volume?

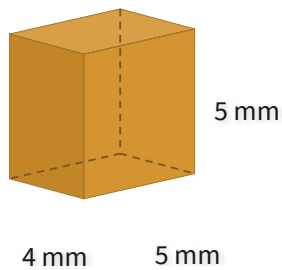


- 0 cubic mm
- 1 cubic mm
- 2 cubic mm
- 4 cubic mm

Show your work

#6

What is the volume?

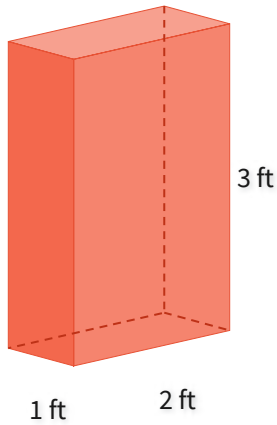


- 94 cubic mm
- 122 cubic mm
- 100 cubic mm
- 98 cubic mm

Show your work

#7

What is the volume?

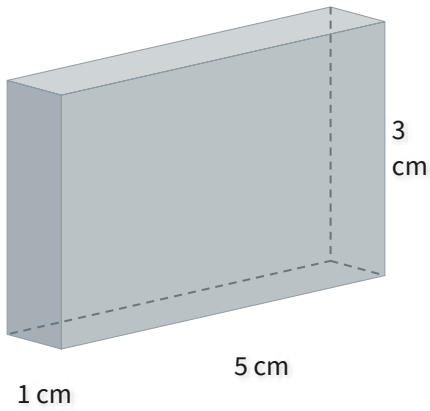


cubic ft

Show your work

#8

What is the volume?

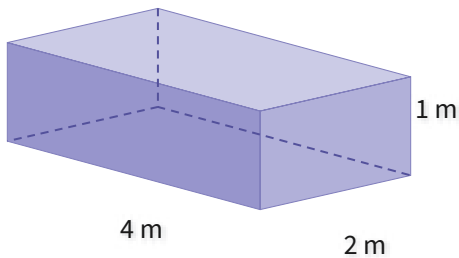


cubic cm

Show your work

#9

What is the volume?

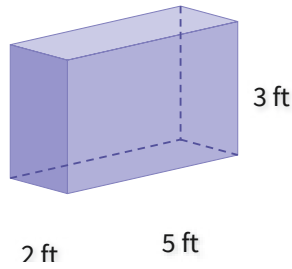


cubic m

Show your work

#10

What is the volume?

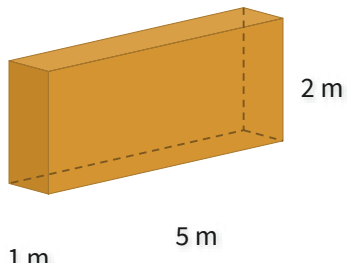


- 35 cubic ft
- 21 cubic ft
- 37 cubic ft
- 30 cubic ft

Show your work

#11

What is the volume?

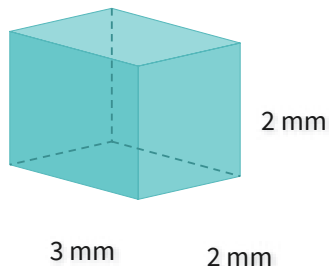


- 12 cubic m
- 10 cubic m
- 9 cubic m
- 7 cubic m

Show your work

#12

What is the volume?



- 10 cubic mm
- 16 cubic mm
- 12 cubic mm
- 11 cubic mm

Show your work

Question	Answer
#1	choice 1
#2	48
#3	48
#4	choice 2
#5	choice 3
#6	choice 3
#7	6
#8	15
#9	8
#10	choice 4
#11	choice 2
#12	choice 3