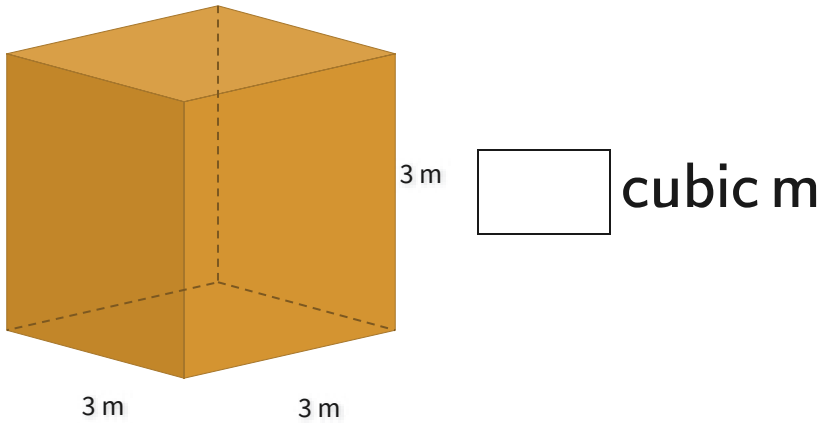


#1

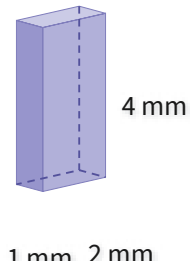
What is the volume?



Show your work

#2

What is the volume?

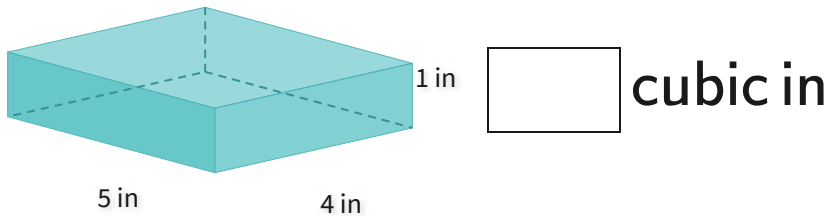


- 8 cubic mm
- 11 cubic mm
- 7 cubic mm
- 5 cubic mm

Show your work

#3

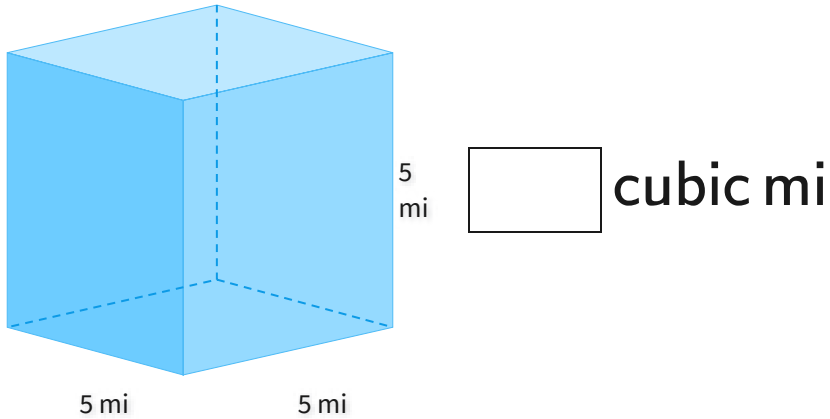
What is the volume?



Show your work

#4

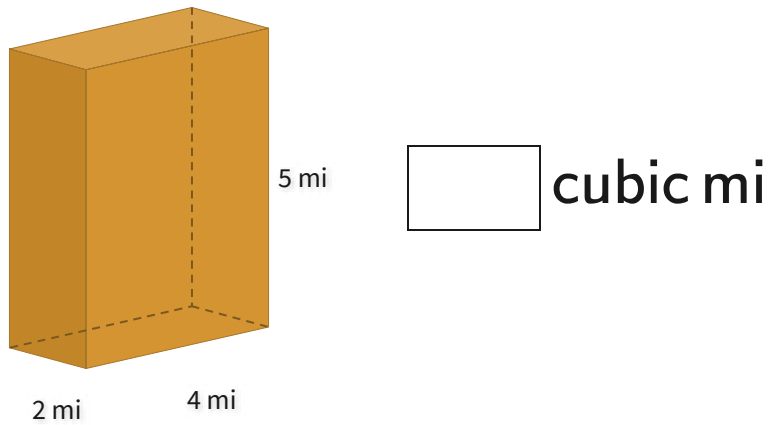
What is the volume?



Show your work

#5

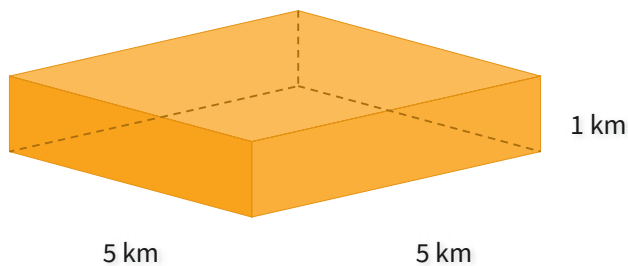
What is the volume?



Show your work

#6

What is the volume?

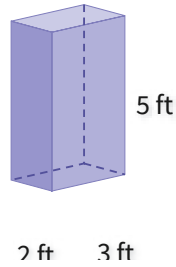


- 25 cubic km
- 26 cubic km
- 31 cubic km
- 20 cubic km

Show your work

#7

What is the volume?

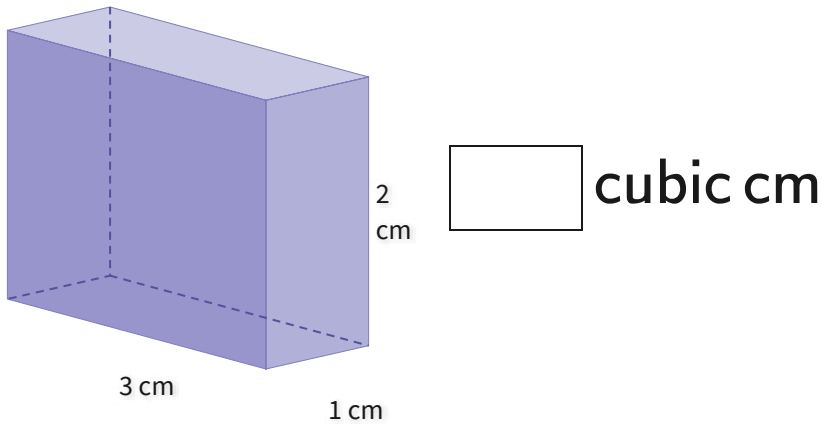


- 35 cubic ft
- 36 cubic ft
- 38 cubic ft
- 30 cubic ft

Show your work

#8

What is the volume?



Show your work

#9

What is the volume?

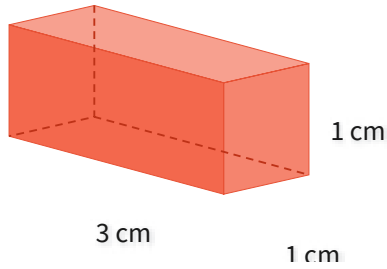


- 4 cubic in
- 6 cubic in
- 5 cubic in
- 8 cubic in

Show your work

#10

What is the volume?

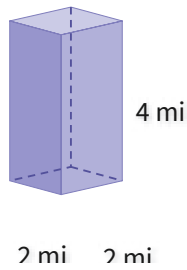


- 6 cubic cm
- 2 cubic cm
- 3 cubic cm
- 4 cubic cm

Show your work

#11

What is the volume?

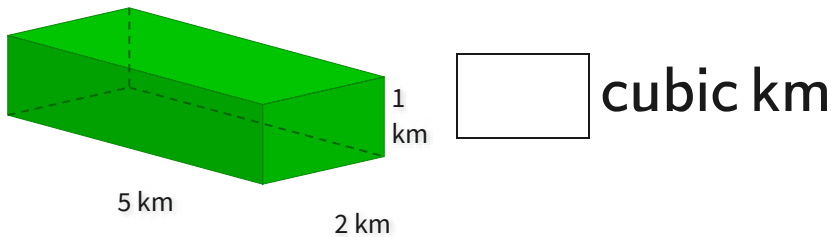


- 11 cubic mi
- 21 cubic mi
- 17 cubic mi
- 16 cubic mi

Show your work

#12

What is the volume?



Show your work

Question	Answer
#1	27
#2	choice 1
#3	20
#4	125
#5	40
#6	choice 1
#7	choice 4
#8	6
#9	choice 3
#10	choice 3
#11	choice 4
#12	10