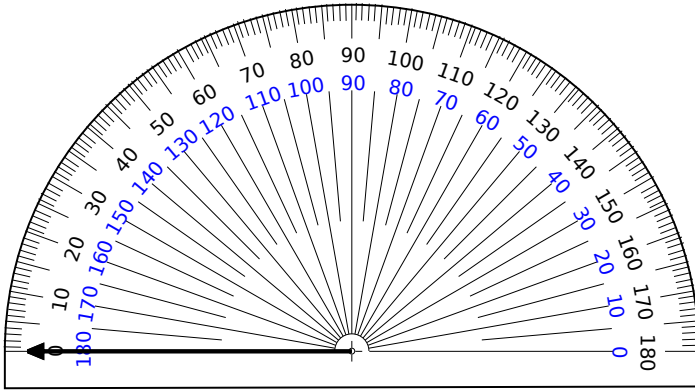


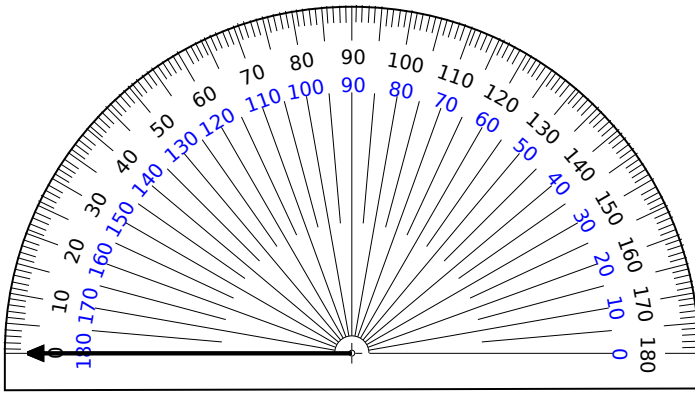
#1 Construct an acute angle greater than 0° . Drag and drop the arrow to create the angle.



0°

Show your work

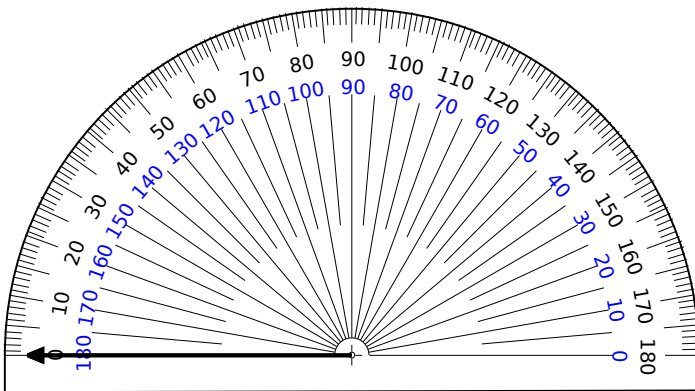
#2 Construct an acute angle greater than 20° . Drag and drop the arrow to create the angle.



0°

Show your work

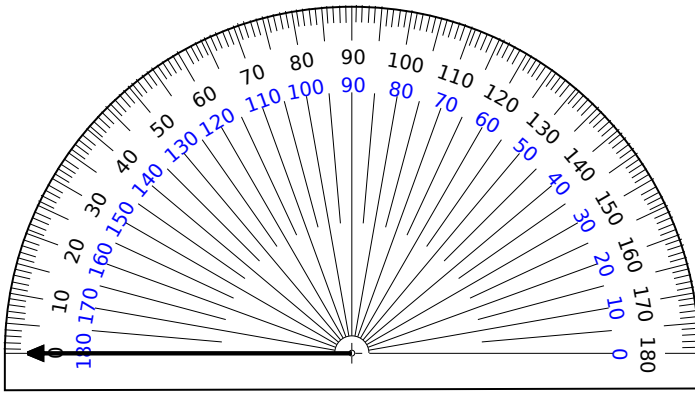
#3 Construct an angle less than 50° . Drag and drop the arrow to create the angle.



0°

Show your work

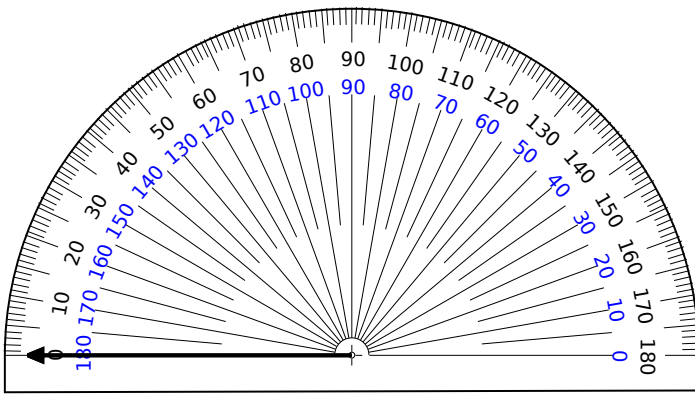
#4 Construct an angle less than 25° . Drag and drop the arrow to create the angle.



0°

Show your work

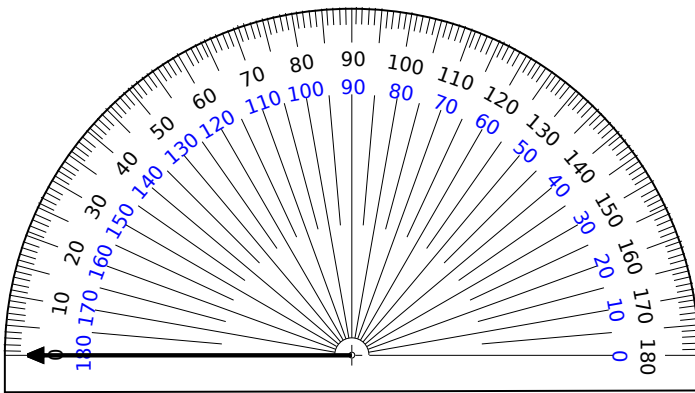
#5 Construct an obtuse angle less than 180° . Drag and drop the arrow to create the angle.



0°

Show your work

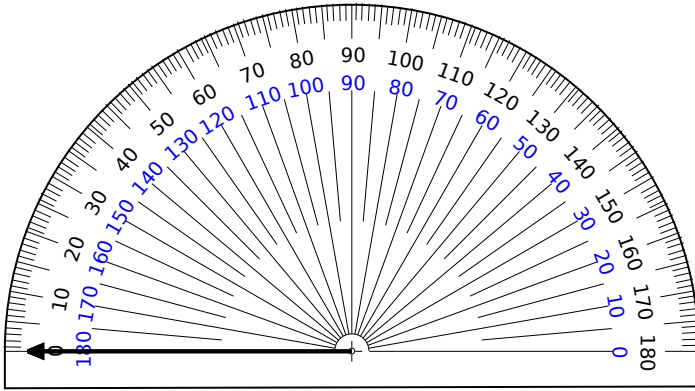
#6 Construct an acute angle greater than 80° . Drag and drop the arrow to create the angle.



0°

Show your work

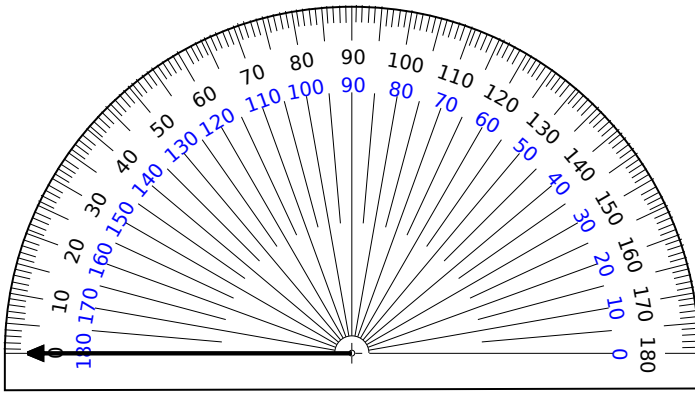
#7 Construct an angle greater than 125° . Drag and drop the arrow to create the angle.



0°

Show your work

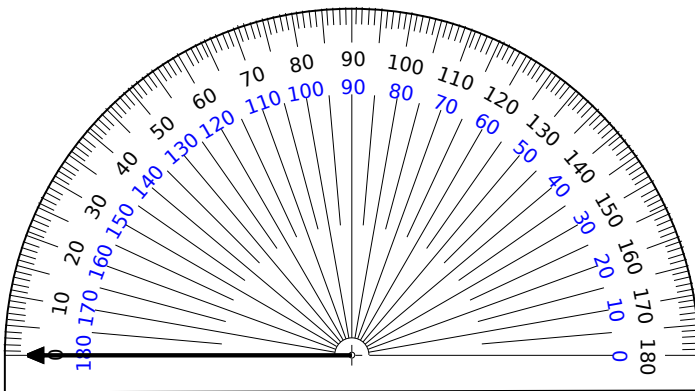
#8 Construct an angle greater than 150° . Drag and drop the arrow to create the angle.



0°

Show your work

#9 Construct an obtuse angle less than 160° . Drag and drop the arrow to create the angle.

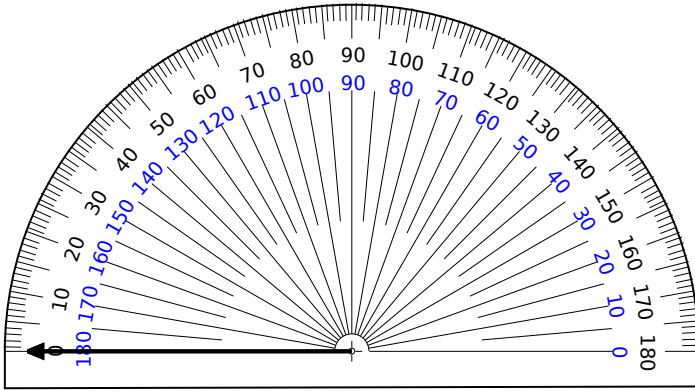


0°

Show your work

#10

Construct an obtuse angle less than 165° . Drag and drop the arrow to create the angle.

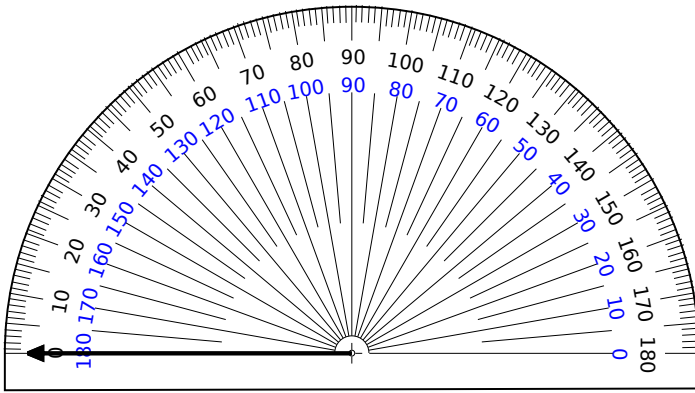


0°

Show your work

#11

Construct an obtuse angle greater than 20° . Drag and drop the arrow to create the angle.

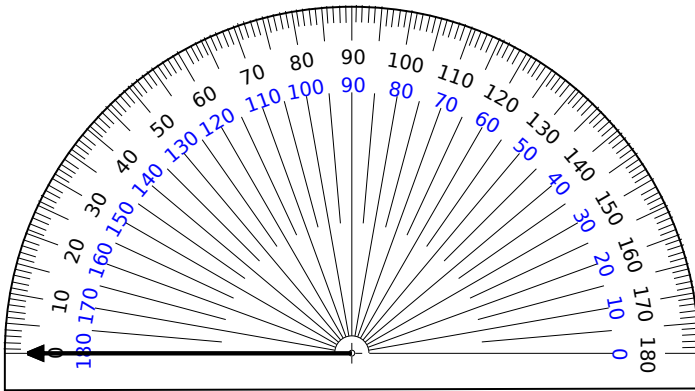


0°

Show your work

#12

Construct an acute angle less than 15° . Drag and drop the arrow to create the angle.



0°

Show your work

Question	Answer
#1	0, 90
#2	20, 90
#3	-1, 50
#4	-1, 25
#5	90, 180
#6	80, 90
#7	125, 181
#8	150, 181
#9	90, 160
#10	90, 165
#11	90, 181
#12	-1, 15