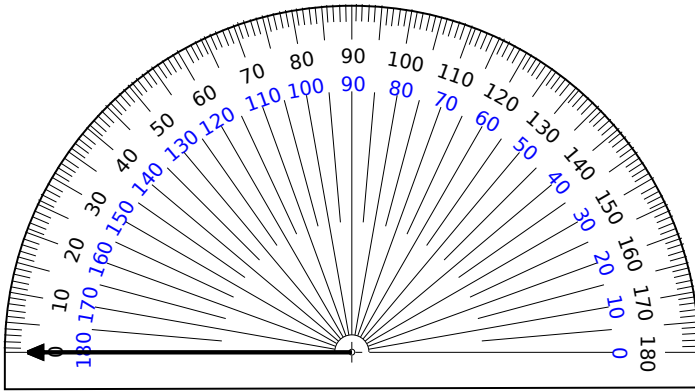




#1

Construct an angle that is  $5^\circ$  more than  $0^\circ$ .

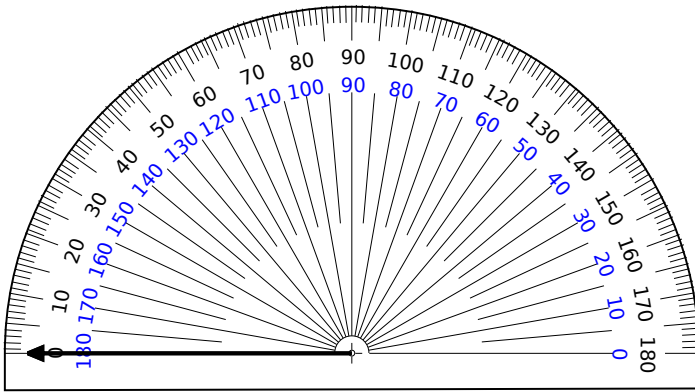


$0^\circ$

Show your work

#2

Construct an angle that is  $105^\circ$  less than  $150^\circ$ .

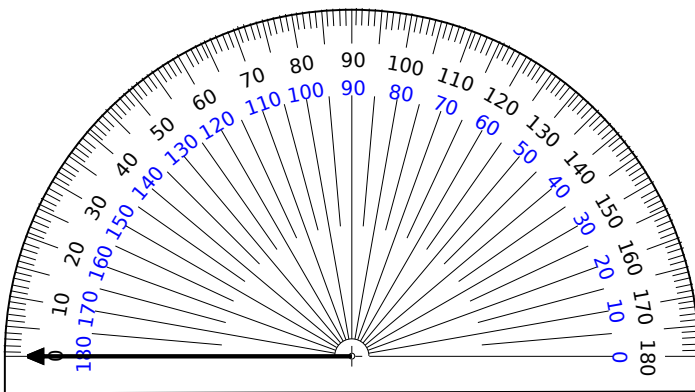


$0^\circ$

Show your work

#3

Construct an angle that is  $15^\circ$  less than  $35^\circ$ .



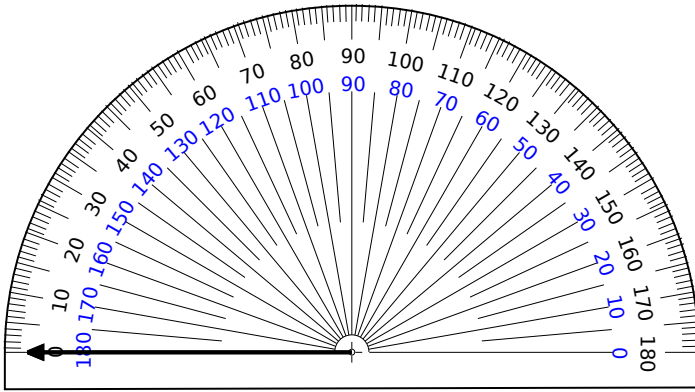
$0^\circ$

Show your work



#4

Construct an angle that is half of  $150^\circ$ .

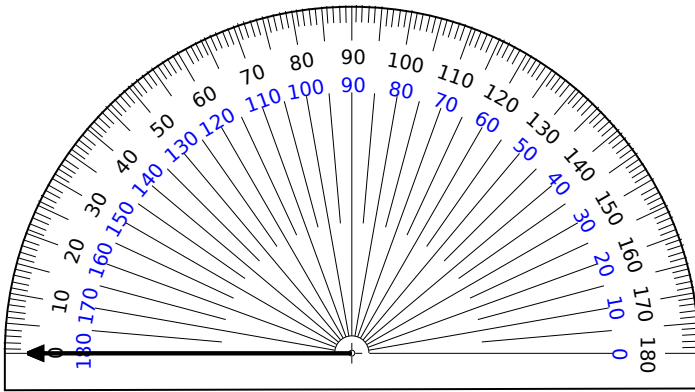


$0^\circ$

Show your work

#5

Construct an angle that is  $25^\circ$  more than  $45^\circ$ .

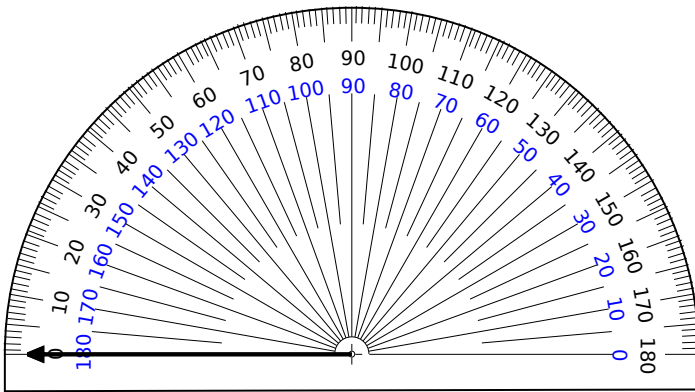


$0^\circ$

Show your work

#6

Construct an angle that is  $95^\circ$  more than  $15^\circ$ .



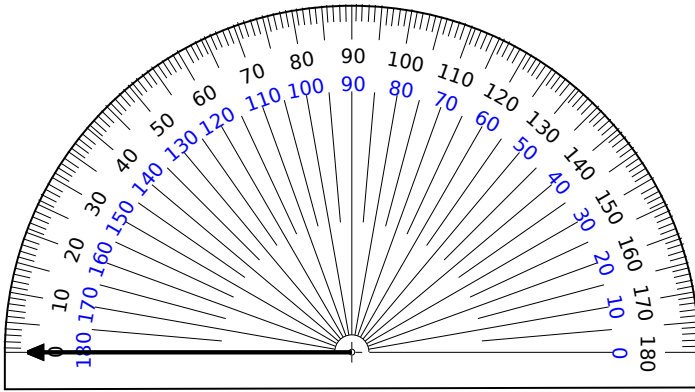
$0^\circ$

Show your work



#7

Construct an angle that is  $85^\circ$  more than  $25^\circ$ .

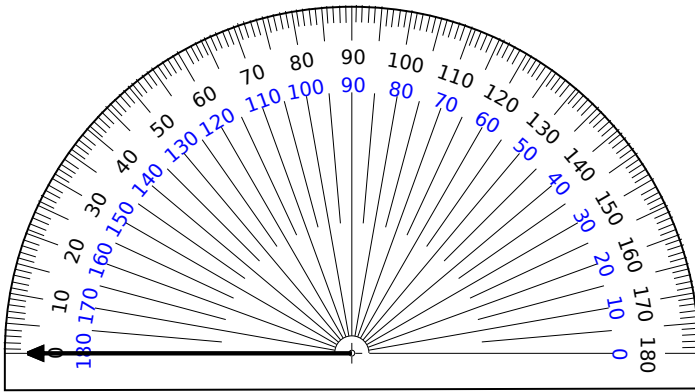


$0^\circ$

Show your work

#8

Construct an angle that is  $30^\circ$  more than  $5^\circ$ .

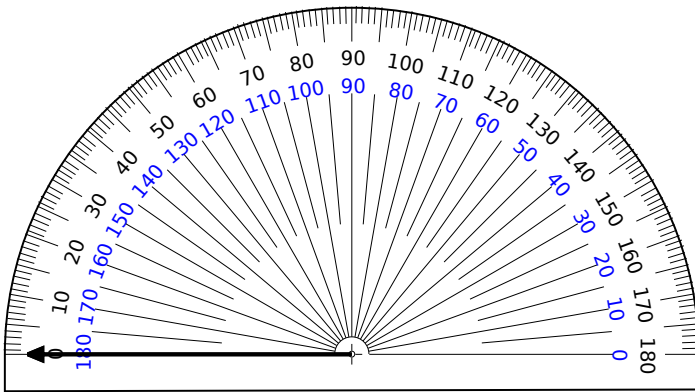


$0^\circ$

Show your work

#9

Construct an angle that is  $40^\circ$  less than  $45^\circ$ .



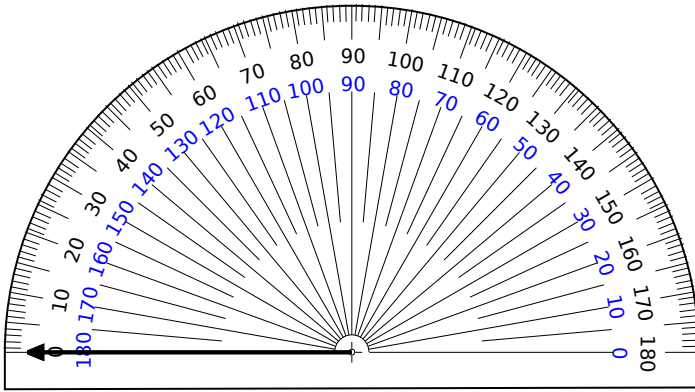
$0^\circ$

Show your work



#10

Construct an angle that is  $75^\circ$  less than  $115^\circ$ .

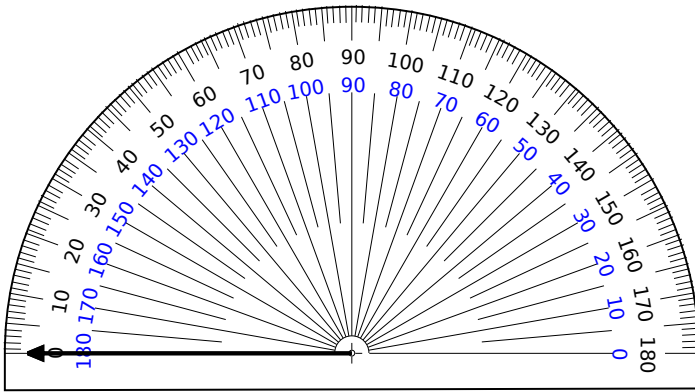


$0^\circ$

Show your work

#11

Construct an angle that is fourths of  $100^\circ$ .

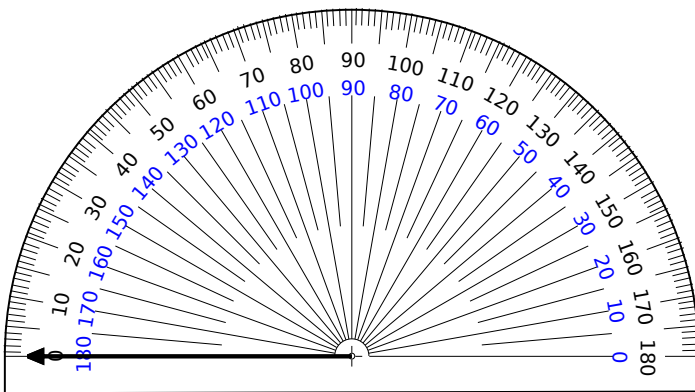


$0^\circ$

Show your work

#12

Construct an angle that is  $10^\circ$  more than  $25^\circ$ .



$0^\circ$

Show your work

Question	Answer
#1	5
#2	45
#3	20
#4	75
#5	70
#6	110
#7	110
#8	35
#9	5
#10	40
#11	25
#12	35