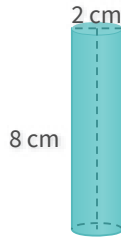


#1

What is the volume? Use $\pi=3.14$

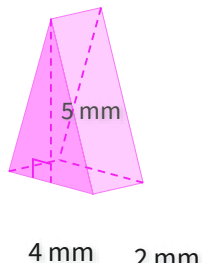


- 24.45 cm³
- 20.55 cm³
- 25.12 cm³
- 20.88 cm³

Show your work

#2

What is the volume?

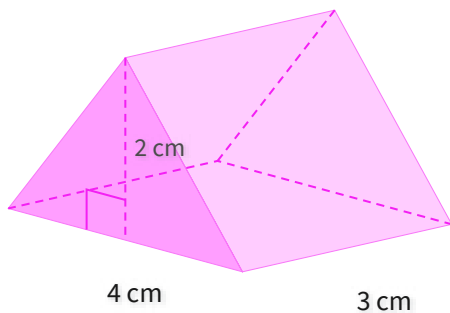


- 18 mm³
- 25 mm³
- 19 mm³
- 20 mm³

Show your work

#3

What is the volume?



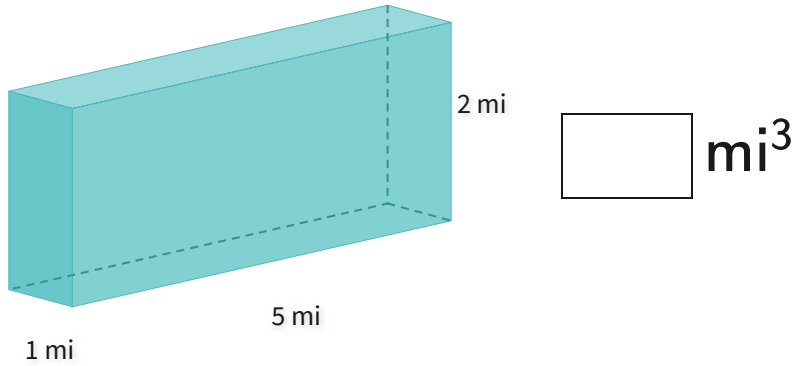
cm³

Show your work



#4

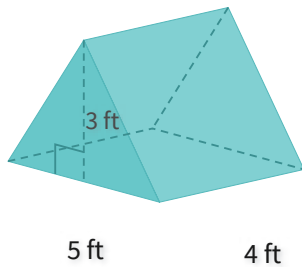
What is the volume?



Show your work

#5

What is the volume?

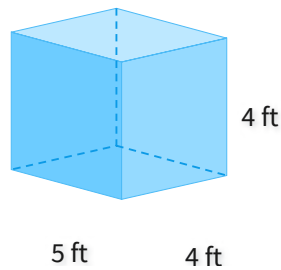


- 32 ft³ 27 ft³
 36 ft³ 30 ft³

Show your work

#6

What is the volume?

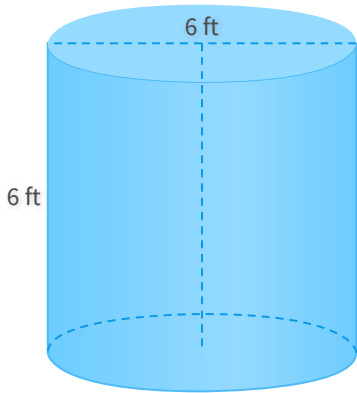


- 80 ft³ 90 ft³
 92 ft³ 65 ft³

Show your work

#7

What is the volume? Use $\pi=3.14$

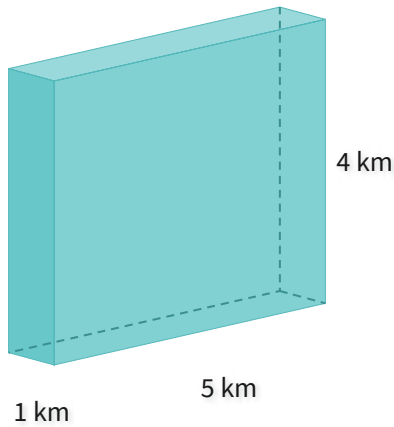


ft^3

Show your work

#8

What is the volume?

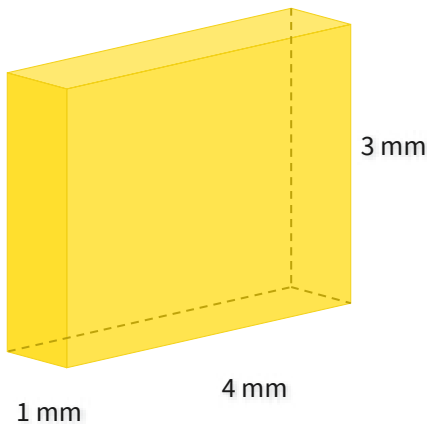


km^3

Show your work

#9

What is the volume?



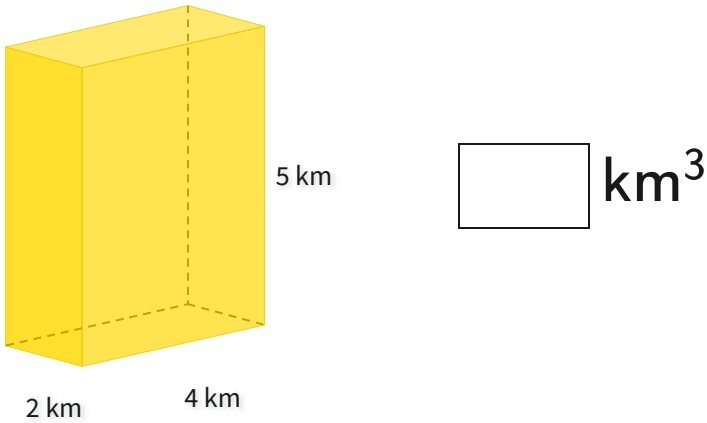
mm^3

Show your work



#10

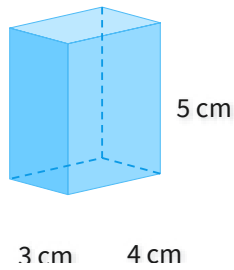
What is the volume?



Show your work

#11

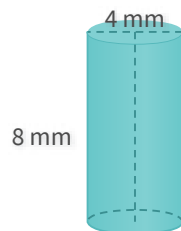
What is the volume?



- 60 cm³ 63 cm³
 64 cm³ 58 cm³

Show your work

#12

What is the volume? Use $\pi=3.14$ 

- 107.89 mm³ 71.9 mm³
 90.09 mm³ 100.48 mm³

Show your work

Question	Answer
#1	choice 3
#2	choice 4
#3	12
#4	10
#5	choice 4
#6	choice 1
#7	169.56
#8	20
#9	12
#10	40
#11	choice 1
#12	choice 4